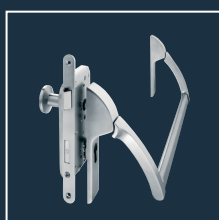
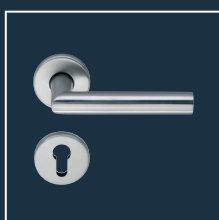


ECO GBS 90

Product information



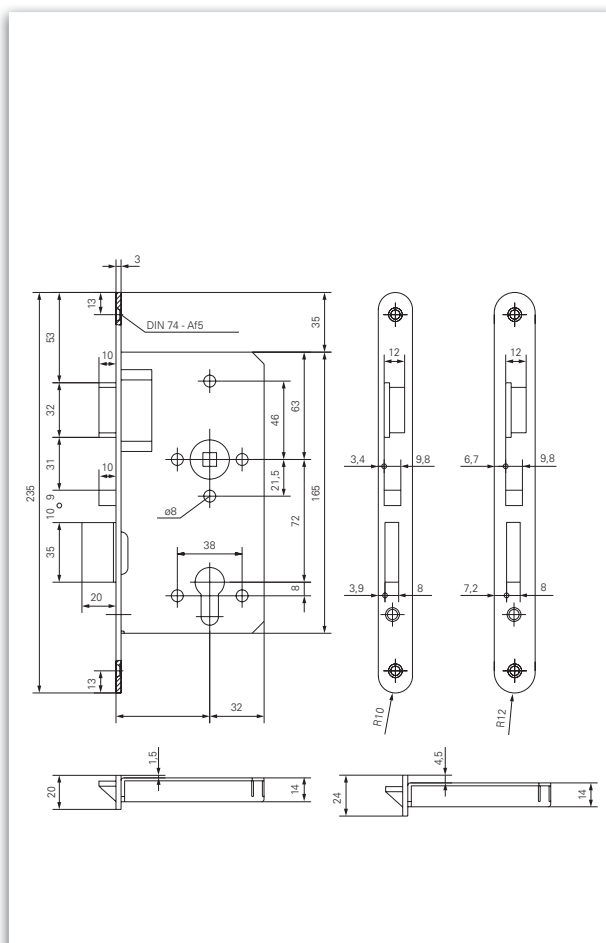
■ SYSTEM TECHNOLOGY FOR THE DOOR





Product characteristics		
Lock type	PZ-72 W (W = handle / knob execution)	■
	RZ-74 W (W = handle / knob execution)	□
Backset	55	■
	65	■
Face plate	Stainless steel	■
Face plate width	20	■
	24	■
Hub	9 mm	■
Suitable for the use on fire- and smoke control doors	F	■
Tested acc. EN / DIN	DIN 18 250	

■ Yes - No □ On request



Dimensioning: GBS 90

Description

GBS 90 / GBS 90 F

- Automatic self-engaging panic mortise lock with panic function
- With closed locke case with 3-fold fastening with protection bushes
- Assembly dimension according to **DIN 18251**
- Stainless steel dead and latch bolt
- Acc. to DIN **EN 18250** also suitable for the use on fire-protection doors
- Automatic locking is effected by closing and consequently engaging the auxilliary latch

On request individual plate stamping possible at extra charge.

GBS 90 ■ Automatic self-engaging panic mortise lock (AVP)



DIN 18 250

GBS 90 Standard

PZ-72 W (W = handle / knob execution)	Face plate	Backset		Article number
Rebated door Face plate: 20 x 235 mm	round	55	L	2090aha02h30300
			R	2090aha02h30400
		65	L	2090aYes02h30300
			R	2090aYes02h30400
Unrebated door Face plate: 24 x 235 mm		55	L	2090aha02m30300
			R	2090aha02m30400
		65	L	2090aYes02m30300
			R	2090aYes02m30400



DIN 18 250

F

GBS 90 F

PZ-72 W (W = handle / knob execution)	Face plate	Backset		Article number
Rebated door Face plate: 20 x 235 mm	round	55	L	2090aha08h30300
			R	2090aha08h30400
		65	L	2090aYes08h30300
			R	2090aYes08h30400
Unrebated door Face plate: 24 x 235 mm		55	L	2090aha08m30300
			R	2090aha08m30400
		65	L	2090aYes08m30300
			R	2090aYes08m30400

Special functions

02 / Monitored dead bolt

03 / Blocked handle on both sides, fail safe

04 / Blocked handle on both sides, fail secure

05 / Handle one side blocked, fail safe, B* or G*

06 / Handle one side blocked, fail secure, B* or G*

08 / 24-V version

Micro switch

Gold-plated contacts | max. 15V - 200 mA

Dead bolt off | Closer

Dead bolt on | Closer

Degree of protection | IP 40

Connection

Flexible cable, provided by customer, max. cable diameter 1,5 mm²

Blocking magnet, divided hub

Nominal voltage | 12V-

Supply voltage | 10,5V- bis 14V-

Maximum rated input power | 100 mA at 12V- = 1,2W

Rel. duty cycle ED | 100 %

Class of insulation | E (T-grenz = 1,2W)

B* = Hinge side

G* = Hinge opposite side

ECO Schulte GmbH & Co. KG
Iserlohner Landstraße 89
D - 58706 Menden

Telefon: +49 2373/9276-0
Fax: +49 2373/9276-40

info@eco-schulte.de
www.eco-schulte.de

© ECO Schulte GmbH & Co. KG - Änderungen vorbehalten
© ECO Schulte GmbH & Co. KG - Subject to change