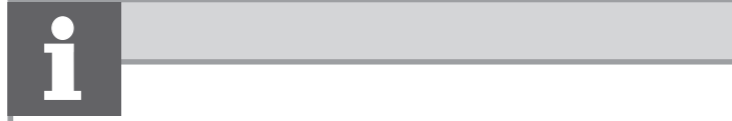
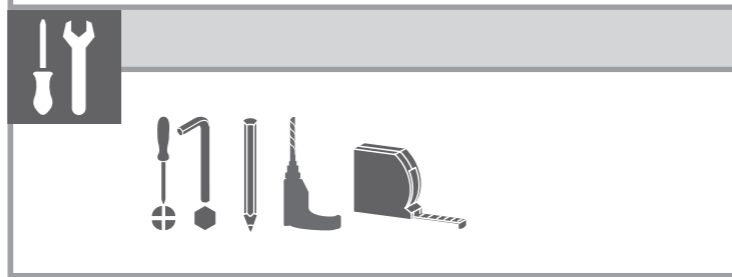


Accessory  
Automatic flush bolt

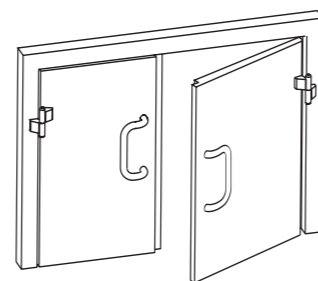
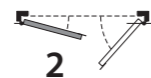


181053-00

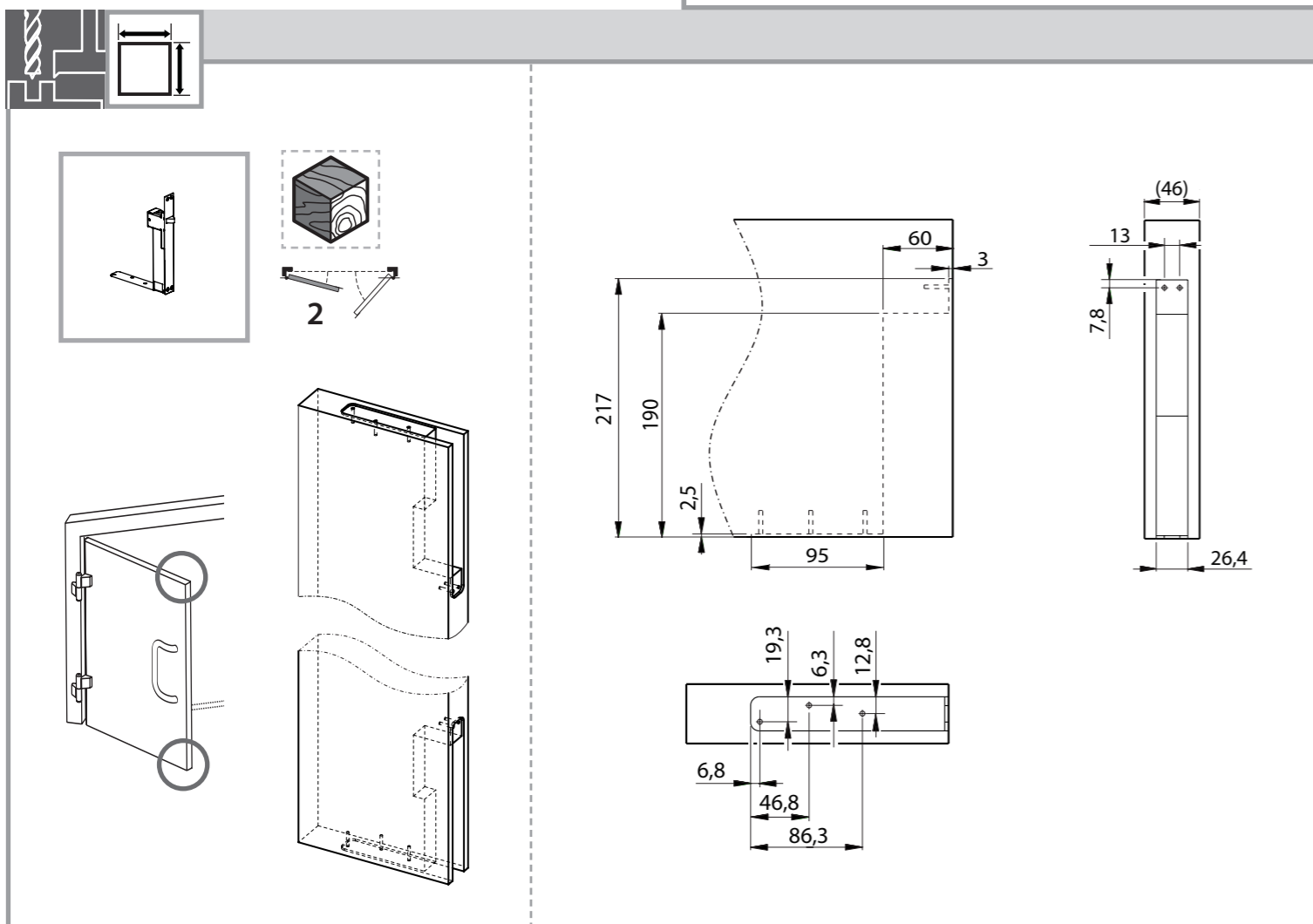
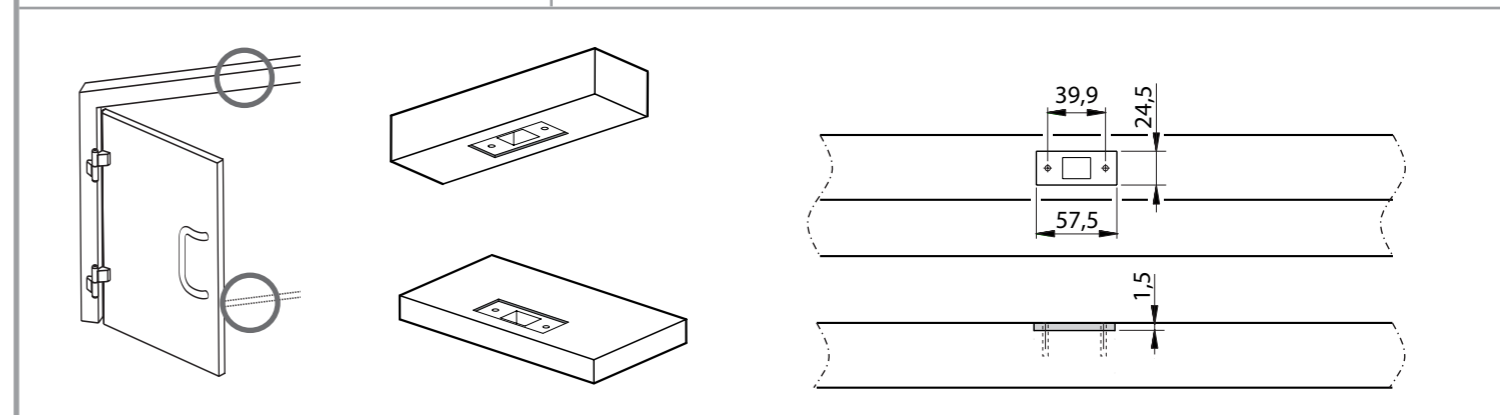
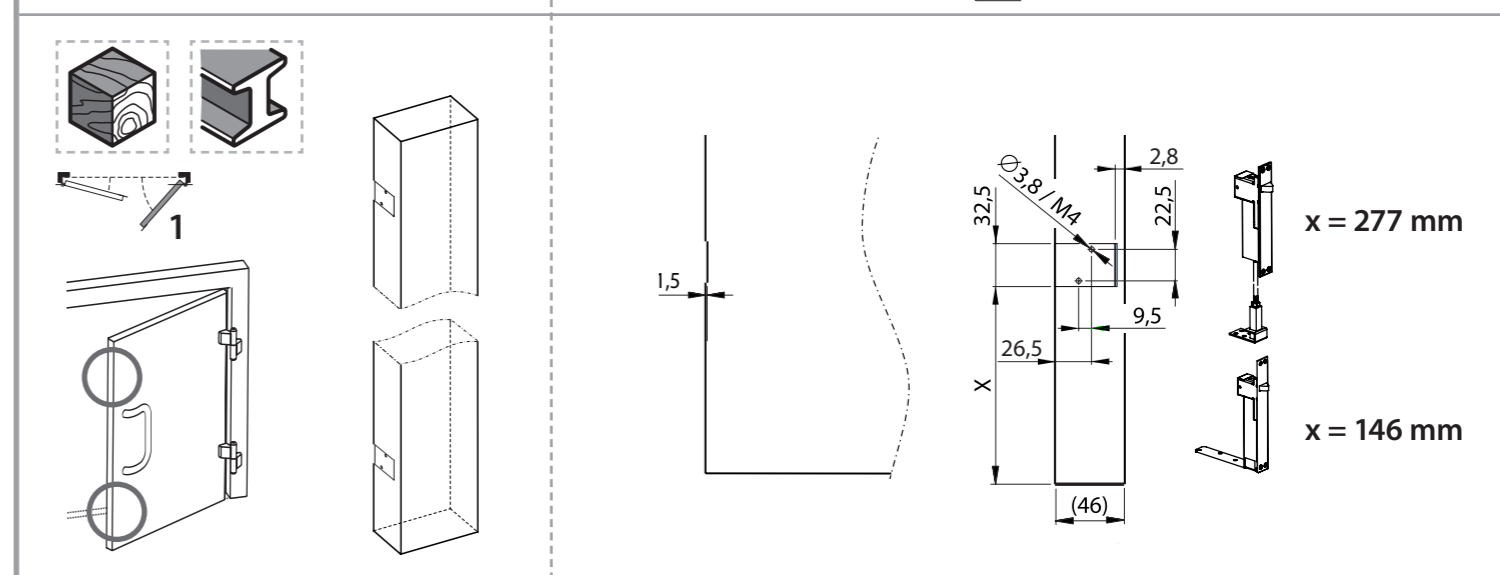
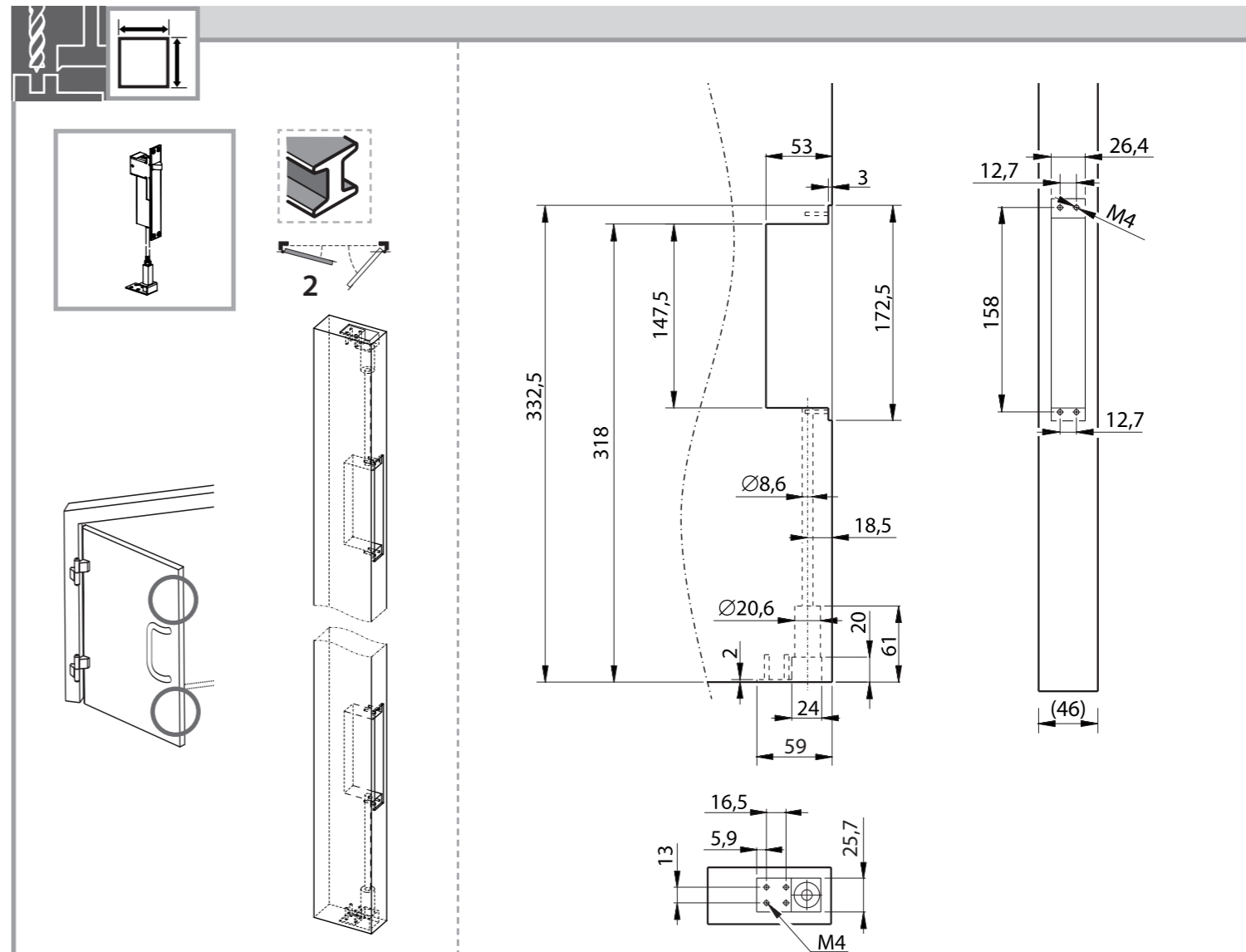
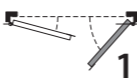
GEZE

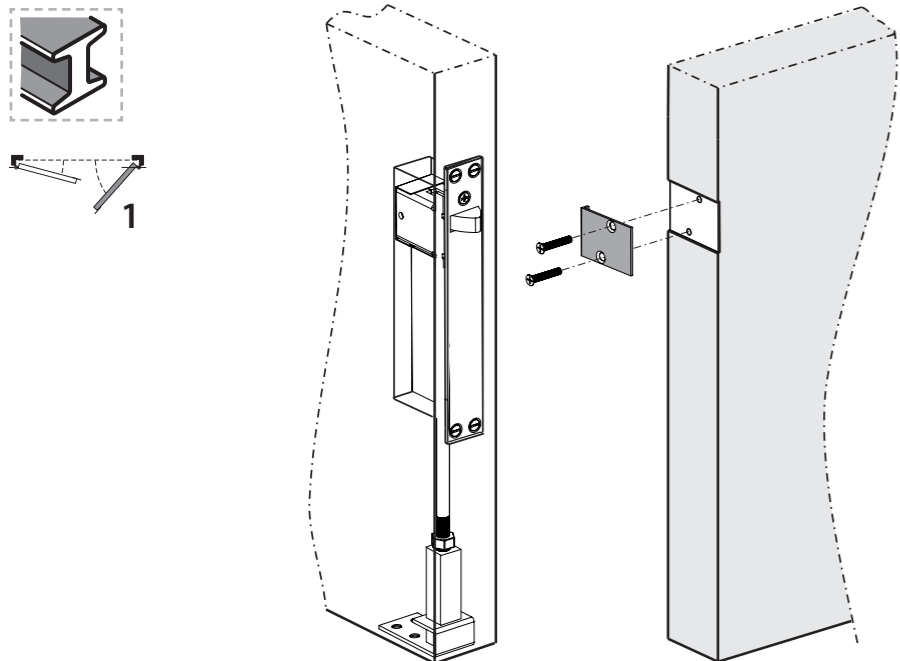
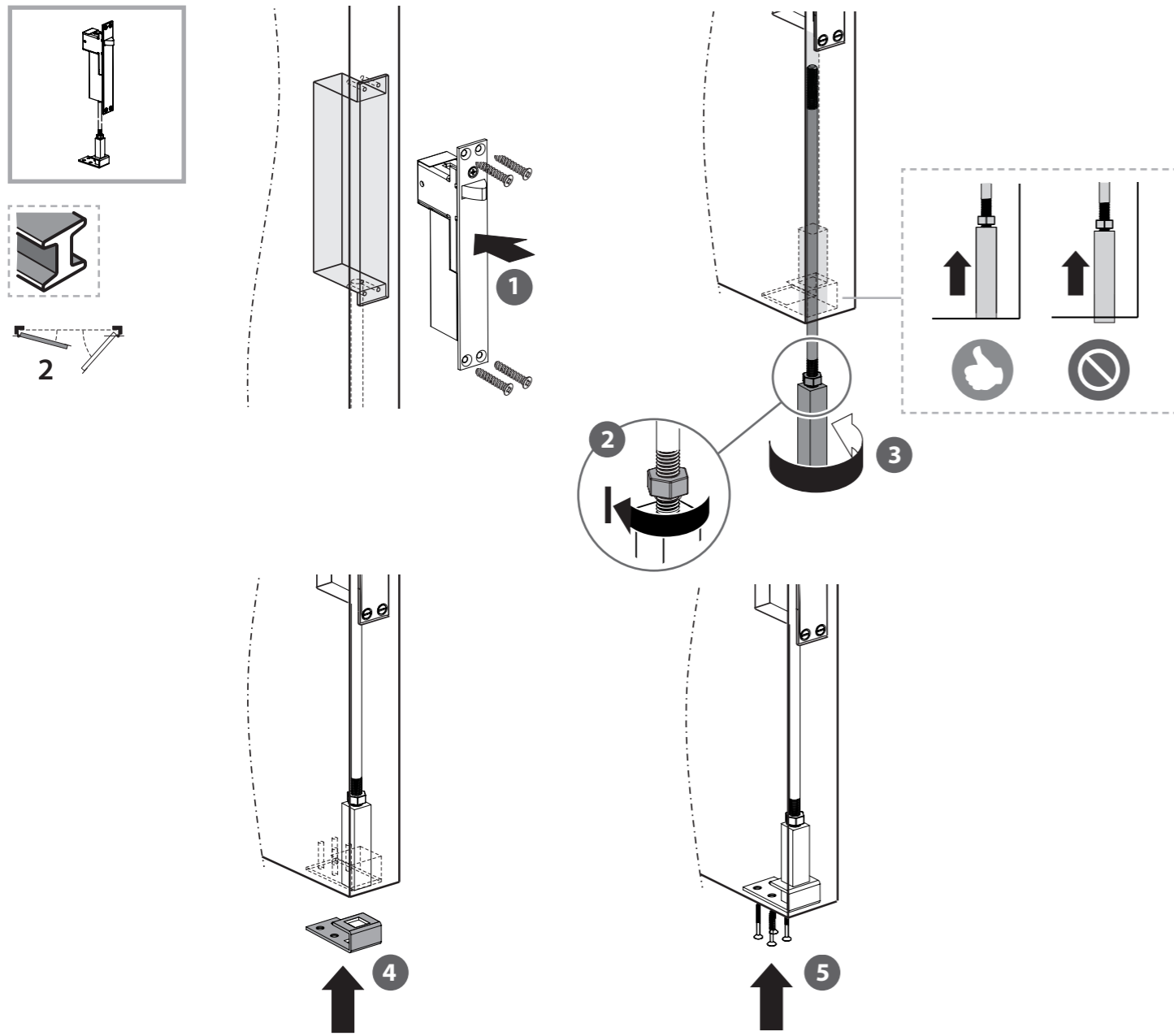
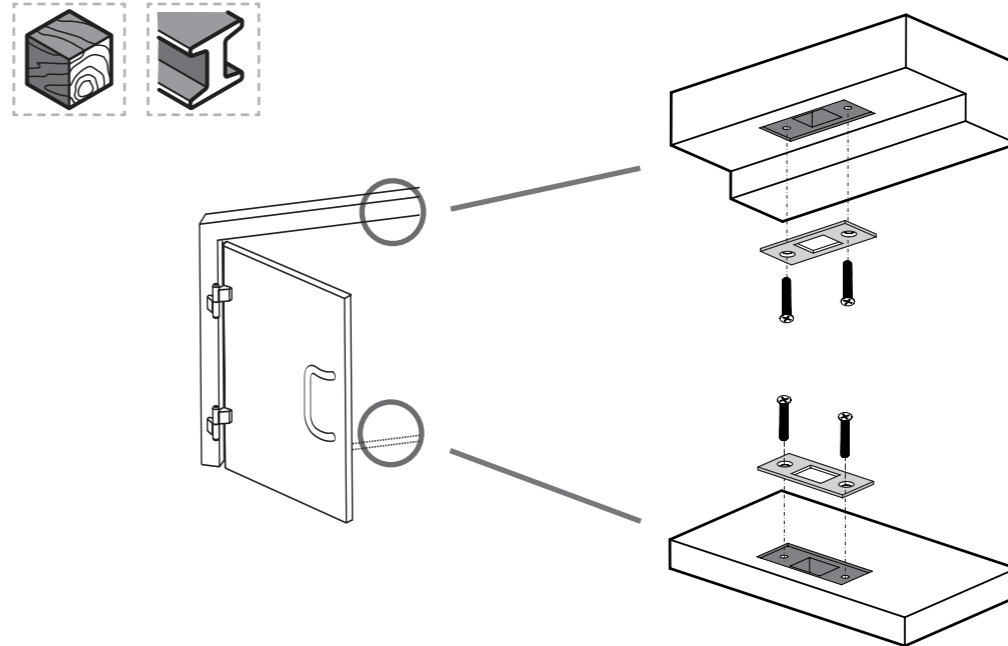
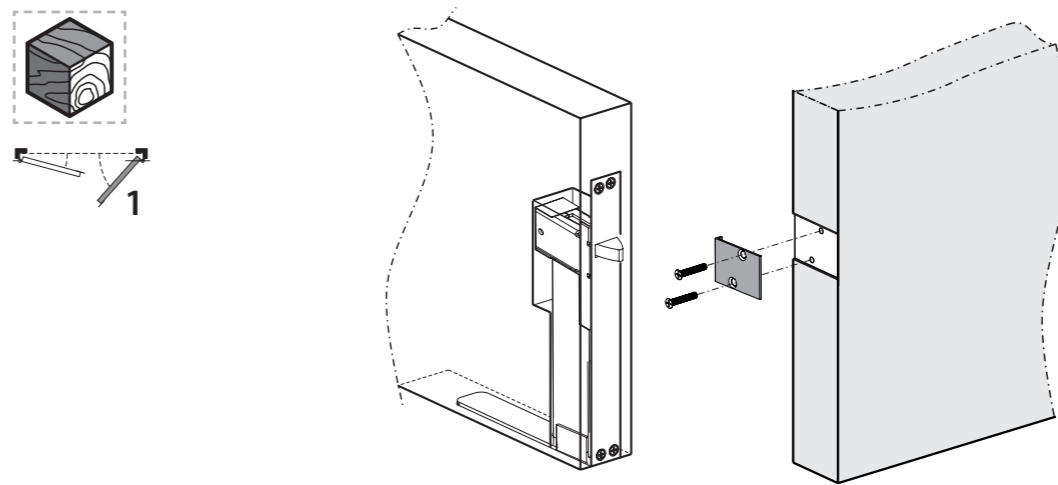
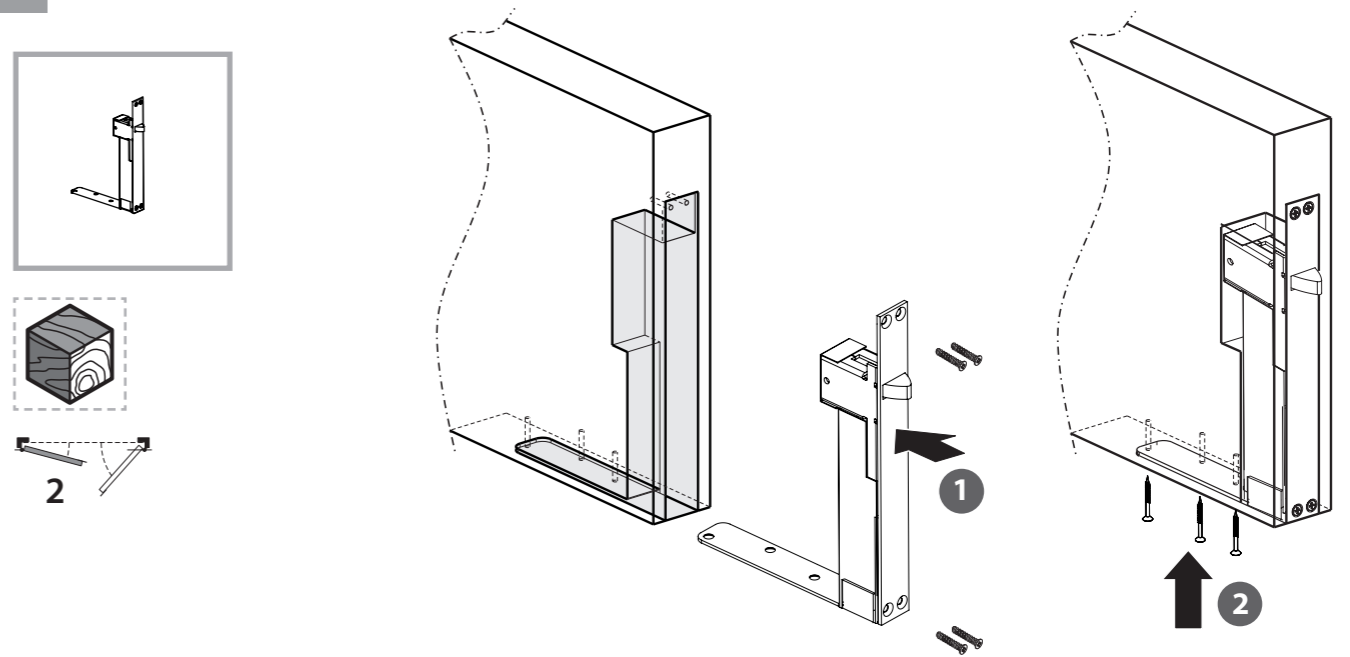


Passive  
leaf



Active  
leaf



**A****B**

GEZE GmbH  
 Reinhold-Vöster-Strasse 21-29  
 71229 Leonberg  
 Germany

Tel.: 0049 7152 203 0  
 Fax: 0049 7152 203 310  
 www.geze.com



**GEZE**