


**NEMEF.**

ASSA ABLOY

**3600 SERIES**

**PANIC EXIT DEVICE**  
*(Mortice lock version)*

0425 - EN 1125  
3 7 7 B 1 3 2 2 A A



The safety features of this product are essential to its compliance with EN 1125. No modification of any kind, other than those described in these instructions, are permitted.

**3600 SERIES** panic exit device can be fitted on doors, whether they are built in steel, aluminium or wood. It is reversible and suitable for single or double glazed and unglazed doors; it is for use on hinged or pivoted doorleaves only, with over 200 Kg. in mass, 2520 mm. in height and 1320 mm. in width.

It should be combined with:

- 1) The lock, if assembled on a single door, or if assembled on a double door, with the active leaf.
  - 2) With the counterlock, if assembled on the inactive leaf of a double door.
- Hardware is ideal for doors which are between 40 and 65 mm. Lock mechanism lengths on panic device side: with lock 28 or 31 mm.; with counterlock 45 mm.

**3600 SERIES** panic exit device with push-bar combined with lock and counterlock designed for use on fire/smoke doors. • Classification: **B**  
Designed for use on fire/smoke doors.

Panic exit device corresponds to the prerequisites required by the directive "Building Products" and following integration 89/106/CEE and to the requisites as per norm EN 1125:2008.

The certifying procedure performed attesting the conformity of system 1.

The number of CE conformity certification issued by ICIM, notified body no. 0425, is:

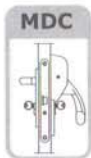
**2818**

The product bears the CE mark and the company has the relative technical literature.

## ITEMS

Device	3640/*	Double centre distance 72 mm and 92 mm
Horizontal Bar	3630/* - 900mm	L= 900 mm
	3630/* - 1200mm	L= 1200 mm
	3630/* - 1500mm	L= 1500 mm
Lock	1901/21, 1901/17	
Counterlock	1921/21, 1921/17	
ABLOY Lock	EL060100, EL066100, EL160100, EL1660100, EL260100, EL266100, EL360100, EL366100, EL460100, EL466100, EL560100, EL566100, EL418100, MP418100, EL518100, MP518100, EL420100, MP420100, EL520100, MP520100	
ABLOY strikers - series	<b>EA3</b>	
Further technical features are listed in the following pages. For articles ABLOY consult their instruction sheets inside the package of locks.		

## EXTERNAL FUNCTIONS AND CONTROL



**MDC**  
Locks with key from both the inside and outside.  
Opens from the outside with key and handle.  
Opens from the inside with panic device.



**MCE**  
Locks with key from the outside.  
Opens from the outside with key and handle.  
Opens from the inside with panic device.



**MCI**  
Locks with key from the inside.  
Only opens from the outside with handle once the lock is unlocked with the key from the inside.  
Opens from the inside with panic device.



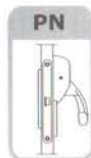
**MS**  
Opens from the outside with handle.  
Opens from the inside with panic device.



**KCE**  
Locks with key from the outside.  
Opens from the outside with key which retracts the latch bolt (the handle does not turn).  
Opens from the inside with panic device.



**PCE**  
Locks with key from the outside.  
Opens from the outside with key which retracts the latch bolt.  
Opens from the inside with panic device.



**PN**  
No opening from the outside.  
Only opens from the inside with panic device.



**SN**  
Does not open from the outside.  
Only opens from the inside with panic device.

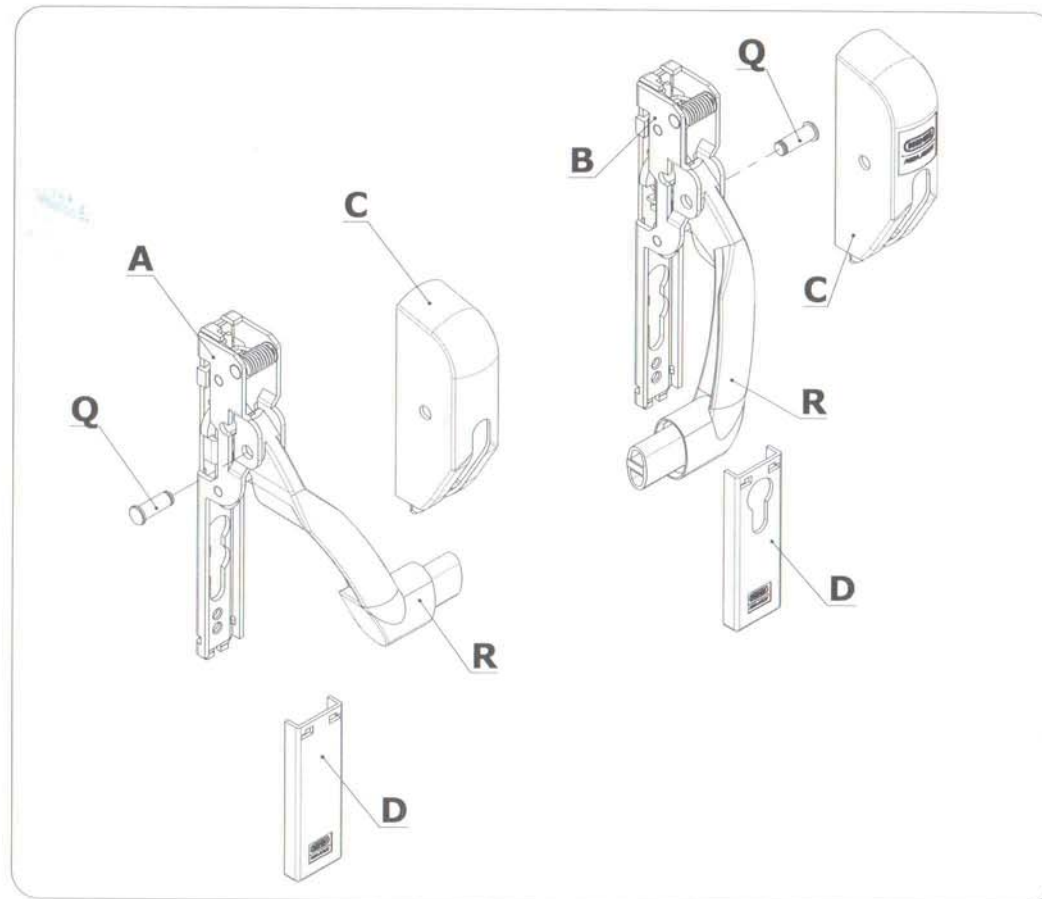


**FPN**  
Version only for the inactive leaf of a double door.  
Does not open from the outside.  
Only opens from the inside with panic device which retracts the two vertical rods.

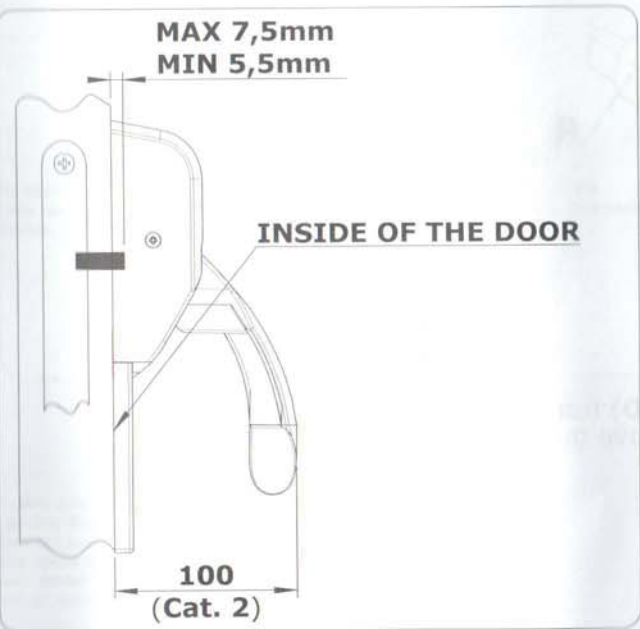
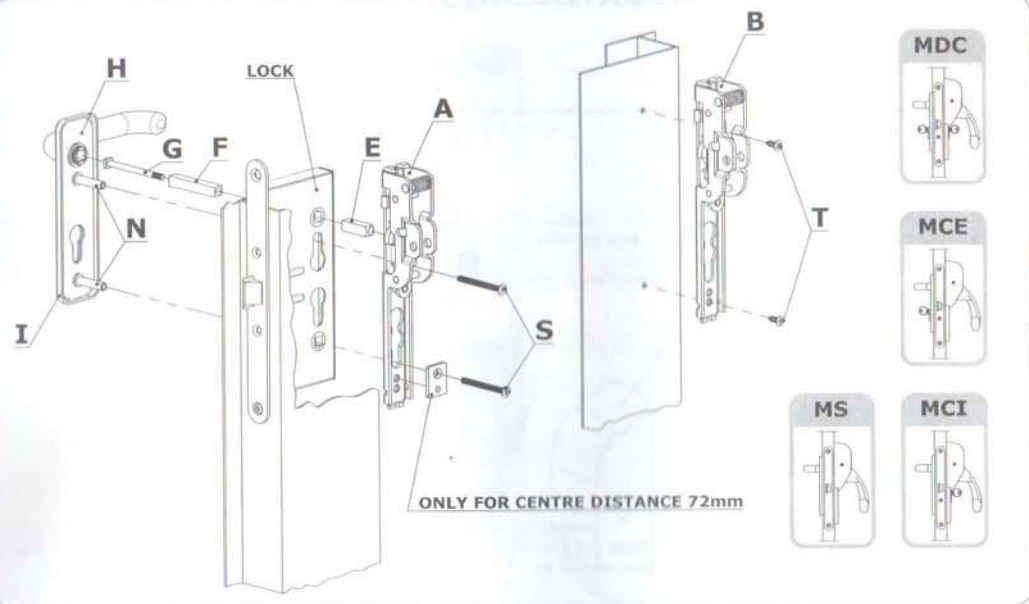


**FSN**  
Version only for the inactive leaf of a double door.  
Does not open from the outside.  
Only opens from the inside with panic device which retracts the two vertical rods.

## MOUNTING INSTRUCTION



Remove the covers (C) and (D) from the mechanisms (A and B).  
Extract the pins (Q) and remove the levers (R).



**IMPORTANT**  
The square spindle (E) inserted in its lock, when pushed, should protrude from the inside of the door:  
min. 5,5 mm - max. 7,5 mm.

### Mechanism (A) - Lock side

Insert the square pin with the threaded hole (E) into the lock case, the square pin with the through hole (F) from the other side, connect the two pins with the screw (G) and tighten.

The two pins must be independent of each other.

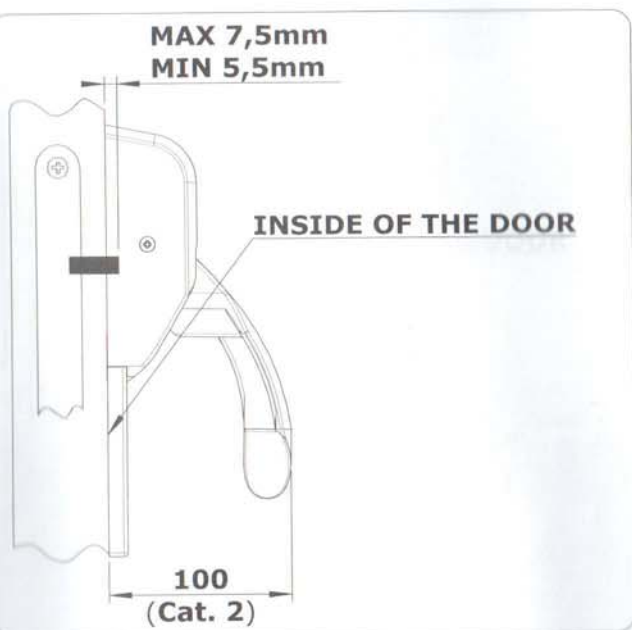
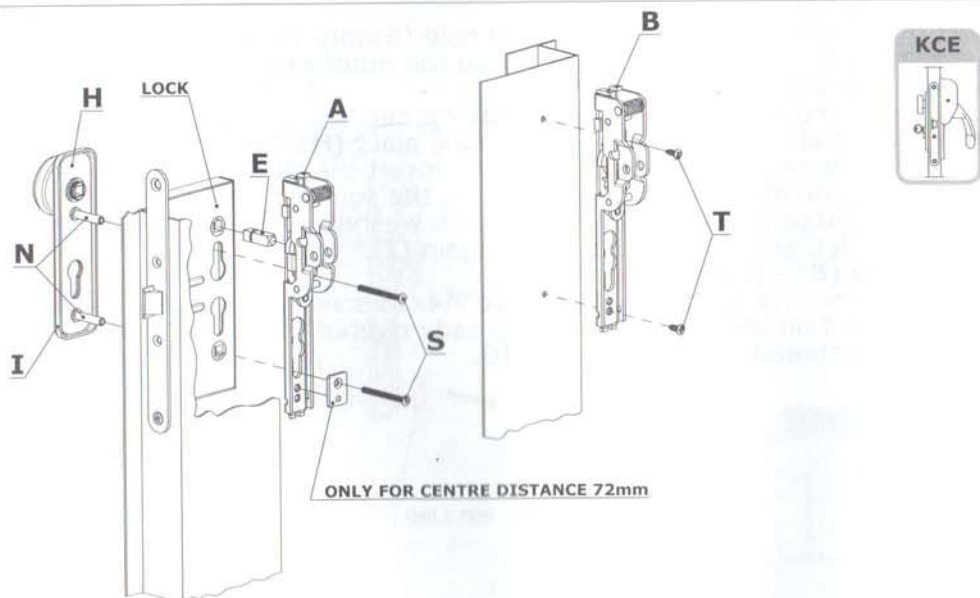
Remove the plate cover (I) from the handle plate (H). Position the handle plate (H) centering the square pin (F) and insert the threaded bushes (N). Position the side mechanism (A), centering the square pin (E), and fix with the two M5x50 screws (S) with relative lock washers, tightening them in the bushes (N), and fit the plate cover again (I).

### Mechanism (B) - Hinge side

Fix the side mechanism (B) with the two M4x16 screws (T) with relative lock washers if on the door you have already riveted the special bushes, or with two self threading screws Ø 4,8x16.

**NEMEF.**

ASSA ABLOY

**3600 SERIES****IMPORTANT**

The square spindle (E) inserted in its lock, when pushed, should protrude from the inside of the door:  
min. 5,5 mm - max. 7,5 mm.

**NEMEF.**

ASSA ABLOY

**3600 SERIES****Mechanism (A) - Lock side**

Insert the short part of the square pin with circlip (E) into lock case. Remove the plate cover (I) from the door knob plate (H), position the door knob (H) and insert the threaded bushes (N). Position the side mechanism (A) centering the square pin (E), and fix with the two M5x50 screws (S) tightening them in the bushes (N). Fit the plate cover (I) again.

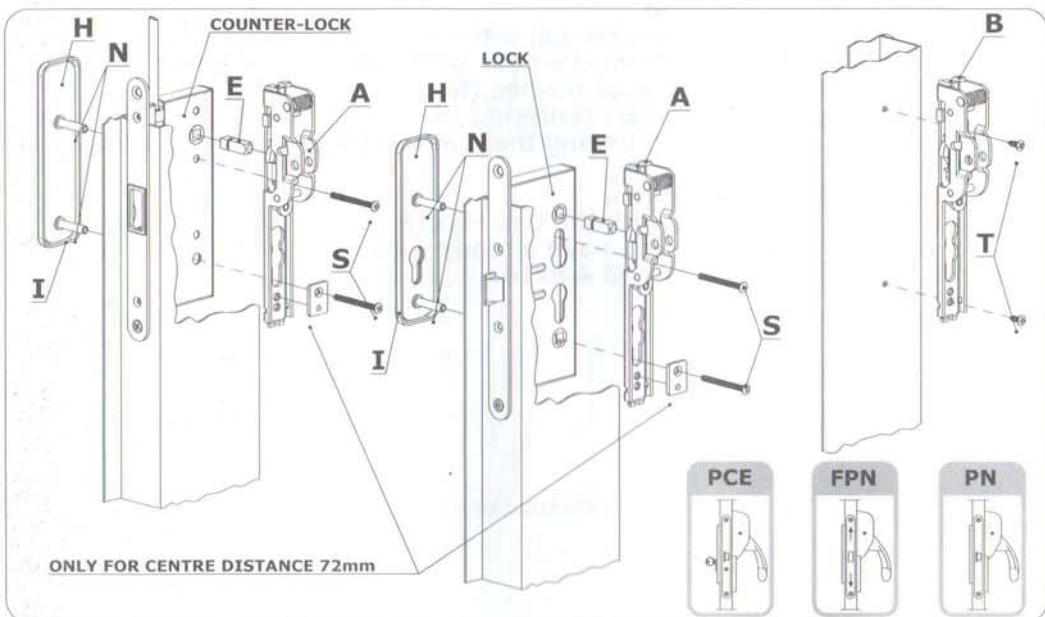
**Mechanism (B) - Hinge side**

Fix the side mechanism (B) with the two M4x16 screws (T) and relative lock washers if on the door you have already riveted the special bushes, or with two self threading screws  $\varnothing$  4,8x16.

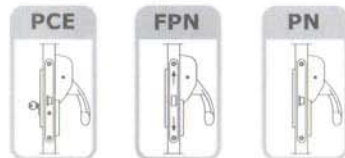
**NEMEF.**

ASSA ABLOY

## 3600 SERIES



ONLY FOR CENTRE DISTANCE 72mm



MAX 7,5mm  
MIN 5,5mm

INSIDE OF THE DOOR

100  
(Cat. 2)

**IMPORTANT**

The square spindle (E) inserted in its lock, when pushed, should protrude from the inside of the door:  
min. 5,5 mm - max. 7,5 mm.

**NEMEF.**

ASSA ABLOY

## 3600 SERIES

**Mechanism (A) - Lock or counter-lock side**

Insert the short part of the square pin with circlip (E) into lock case. Remove the plate cover (I) from the plate (H). Position the plate (H) and insert the threaded bushes (N).

Position the side mechanism (A) centering the square pin (E), and fix with the two M5x50 screws (S) with relative lock washer, tightening them in the bushes (N). Fit the plate cover (I) again.

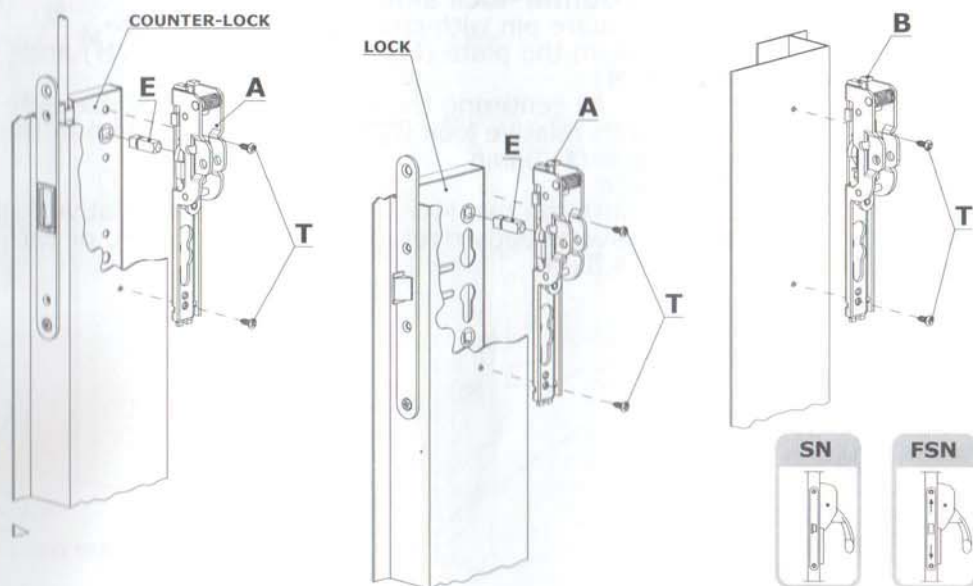
**Mechanism (B) - Hinge side**

Fix the side mechanism (B) with the two M4x16 screws (T) and relative lock washers if on the door you have already riveted the special bushes, or with two self threading screws Ø 4,8x16.

**NEMEF.**

ASSA ABLOY

## 3600 SERIES



MAX 7,5mm  
MIN 5,5mm

INSIDE OF THE DOOR

100  
(Cat. 2)

### IMPORTANT

The square spindle (E) inserted in its lock, when pushed, should protrude from the inside of the door:  
min. 5,5 mm - max. 7,5 mm.

**NEMEF.**

ASSA ABLOY

## 3600 SERIES

### Mechanism (A) - Lock or counter-lock side

Insert the short part of the square pin with circlip (E) into lock case.  
Fix the side mechanism (A) with the two M4x16 screws (T) with relative lock washer, or with two self threading screws Ø 4,8x16.

### Mechanism (B) - Hinge side

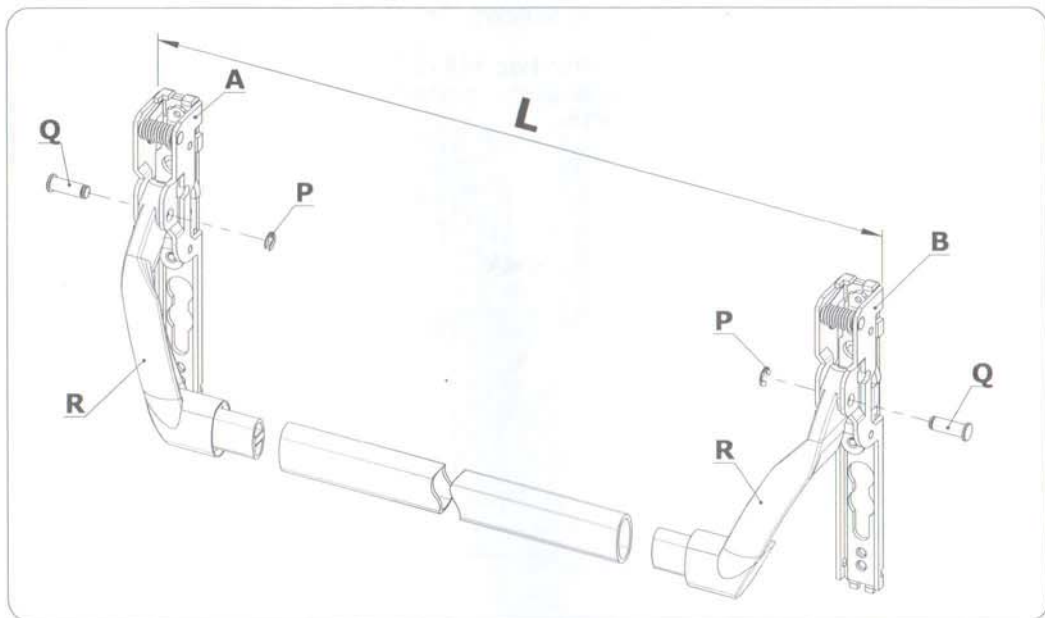
Fix the side mechanism (B) with the two M4x16 screws (T) with relative lock washers if on the door you have already riveted the special bushes, or with two self threading screws Ø 4,8x16.

**NEMEF.**

ASSA ABLOY

## 3600 SERIES

### MOUNTING THE OVAL CROSS BAR



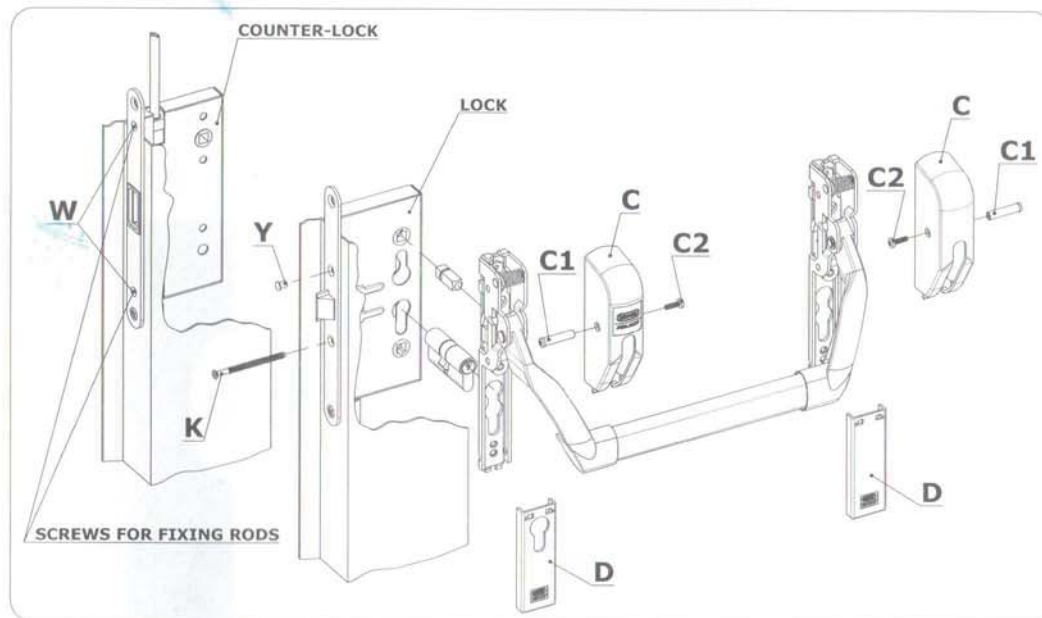
Measure the distance (**L**) between the two mechanisms (**A**) and (**B**).  
 Cut the oval cross bar to a length equal to (**L**) minus **135 mm**.  
 Press the oval cross bar into place in the side levers (**R**). The bar goes **18 mm** into each lever.  
 Mount the side levers again along with the bar, fixing them with the pins (**Q**) and circlips (**P**).

**NEMEF.**

ASSA ABLOY

## 3600 SERIES

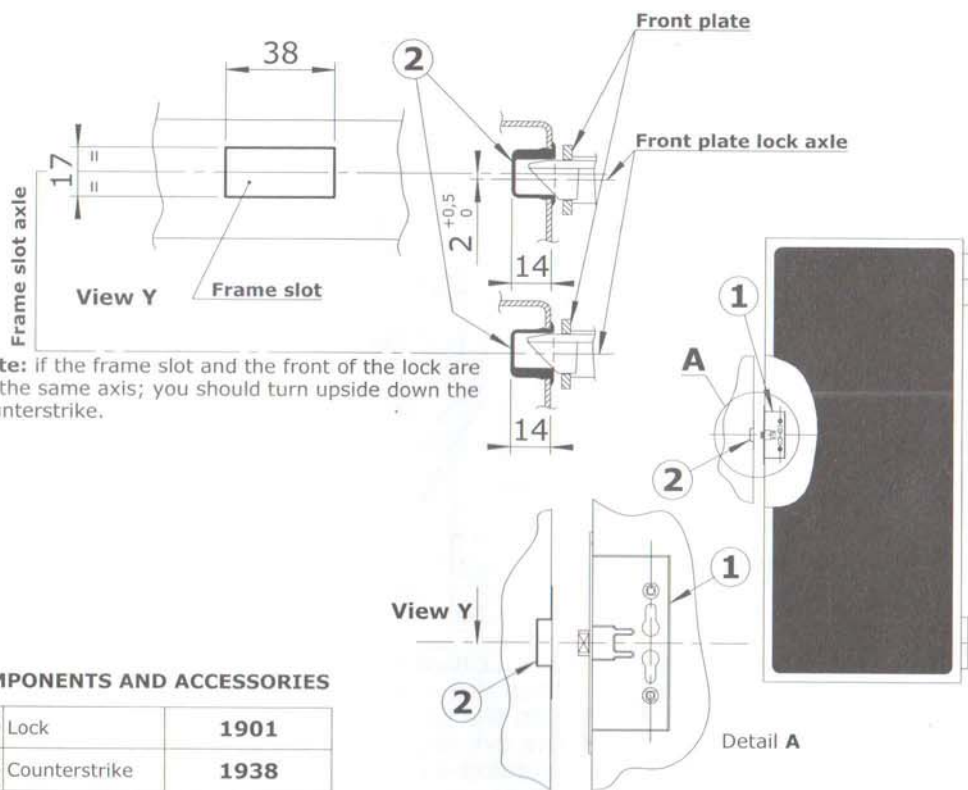
### FINAL MOUNTING



**Make certain that all screws are completely tightened.**  
 Fix the bottom covers (**D**) first, then the top covers (**C**). Fix the top covers by fitting the screws (**C1** e **C2**) into the two holes, lowering the two levers slightly. Where required, mount the cylinder (or single cylinder) and fix it with the screws (**K**). In the lock version insert the plastic plug (**Y**). Stop the upper and down rods with the proper screws (**W**) in the front holes of the counterlock.



## SINGLE ANTIPANIC DOOR



**Note:** if the frame slot and the front of the lock are on the same axis; you should turn upside down the counterstrike.

### COMPONENTS AND ACCESSORIES

1	Lock	1901
2	Counterstrike	1938

### DOOR HAND

DIN LH



DIN RH

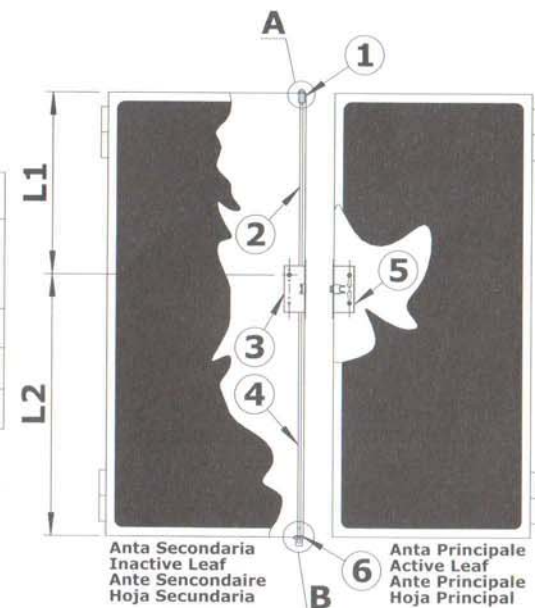
Insert the counterstrike in the frame slot with a click where it is possible or fix with the two self threading screws (in std.equip.). After the installation lubricate the contact area between latchbolt and strike.

## DOUBLE ANTIPANIC DOOR

A - B = see page 18

### COMPONENTS AND ACCESSORIES

1	Automatic relatching device for rods	1935
2	Rods	1932
3	Counter-lock	1921
5	Lock	1901
6	Rod bush	1936



### DOOR HAND

DIN RH



DIN LH

DIN RH



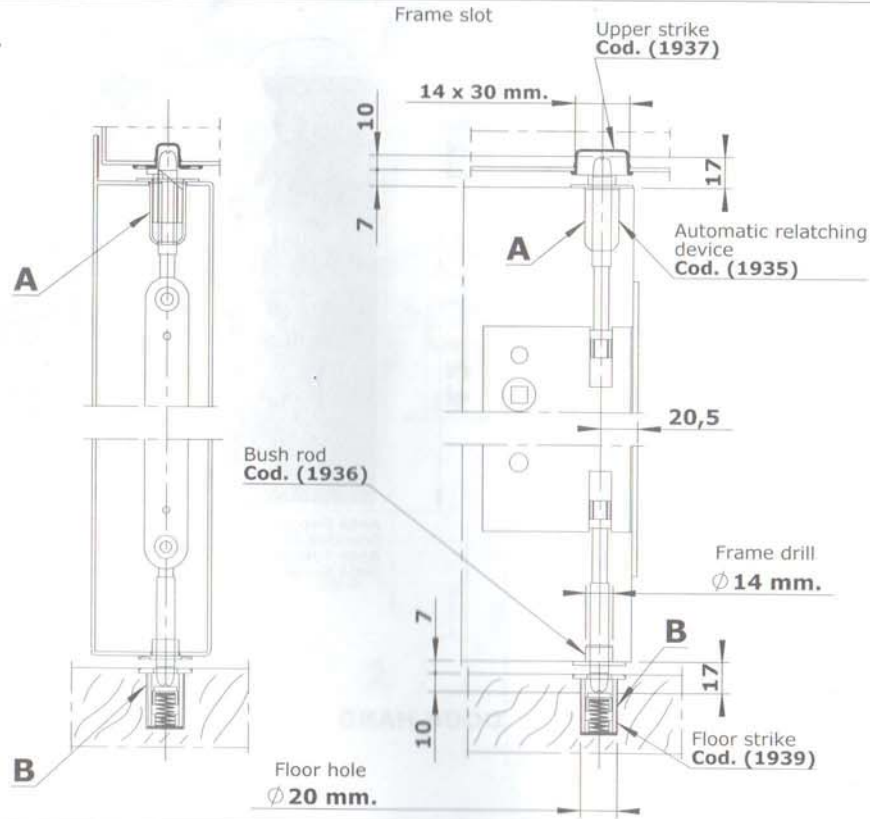
DIN LH

After the installation lubricate: the contact area between latchbolt and strike and between bottom pin rod and its strike.

# 3600 SERIES

## ACCESSORIES FOR INACTIVE LEAF

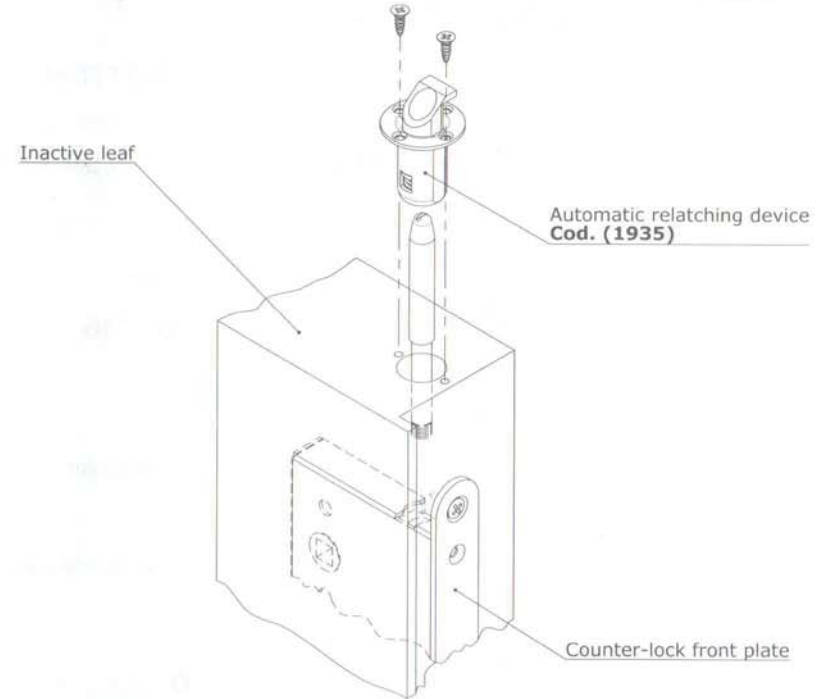
**Fig.1**



Insert the upper strike: with a click where it is possible or fix with the two self threading screws (in std. equip.). Insert the strike to the floor. Insert the rod bush: with a click where it is possible or fix with the two self threading screws (in std. equip.)

# 3600 SERIES

## AUTOMATIC RELATCHING DEVICE FOR THE RODS



### Mounting diagram

This device is fitted at the top of the inactive leaf and fixed parallel to the door with two self-threading screws; use the two holes that allow tighter fastening.

Hole to be drilled  $\phi$  21mm. (40 mm. deep).

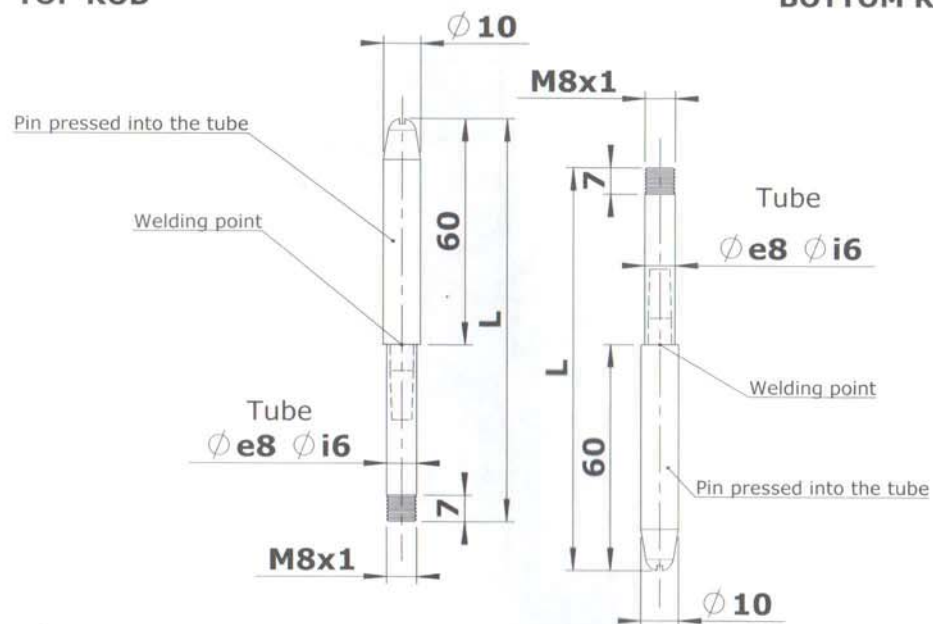
For use with the pair of rods and push rods item **(1932)**

## HOW TO CALCULATE THE LENGTH OF RODS FOR AN INACTIVE LEAF

### Cod. (1932)

#### TOP ROD

#### BOTTOM ROD



Since the rods must protrude by 17 mm. (see fig. 1 page 18), their length is calculated as follows:

Top rod length	$L = (L1 - 8 \text{ mm.})$
Bottom rod length	$L = (L2 - 119 \text{ mm.})$

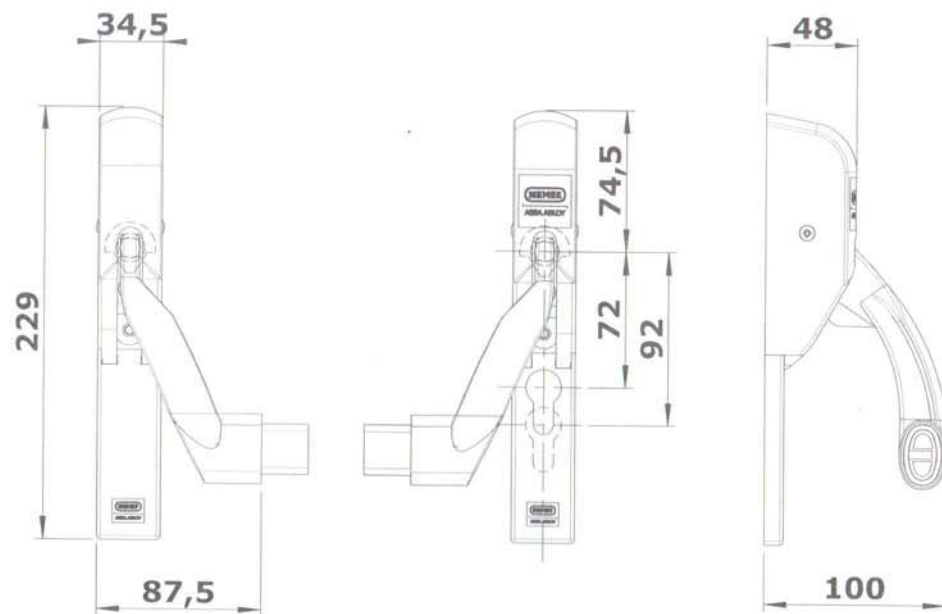
**Note :**  
for sizes **L1** and **L2** see Page 17

## INSTRUCTIONS FOR MOUNTING THE RODS ON AN INACTIVE LEAF

- 1) Insert the bottom rod, mount the counter-lock and screw the rod into the threaded hole on the counter-lock.
- 2) Insert the top rod and screw it into the threaded hole on the counter-lock.
- 3) Mount the rods's automatic relatching device and check that it works correctly.
- 4) Insert the bottom rod guide bush (Detail 6 - Page 19).
- 5) Stop the upper and down rods with the proper screws (**W**) in the front holes of the counter-lock (see page 17).

**NEMEF.**

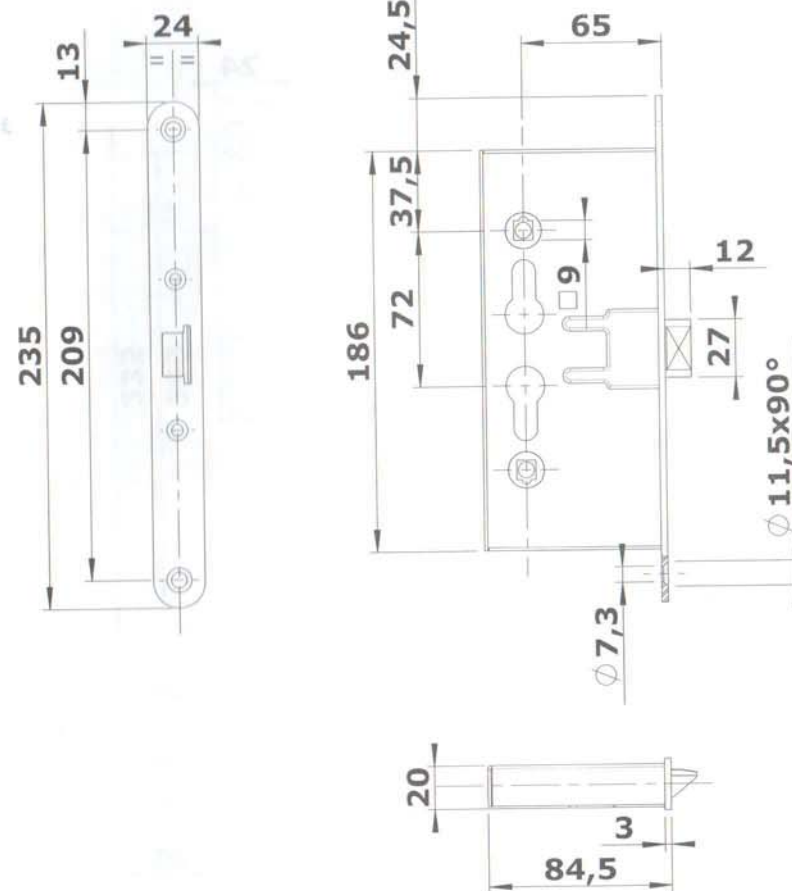
ASSA ABLOY

**3600 SERIES****TECHNICAL DRAWINGS****DEVICES**

Cod.

**3640****NEMEF.**

ASSA ABLOY

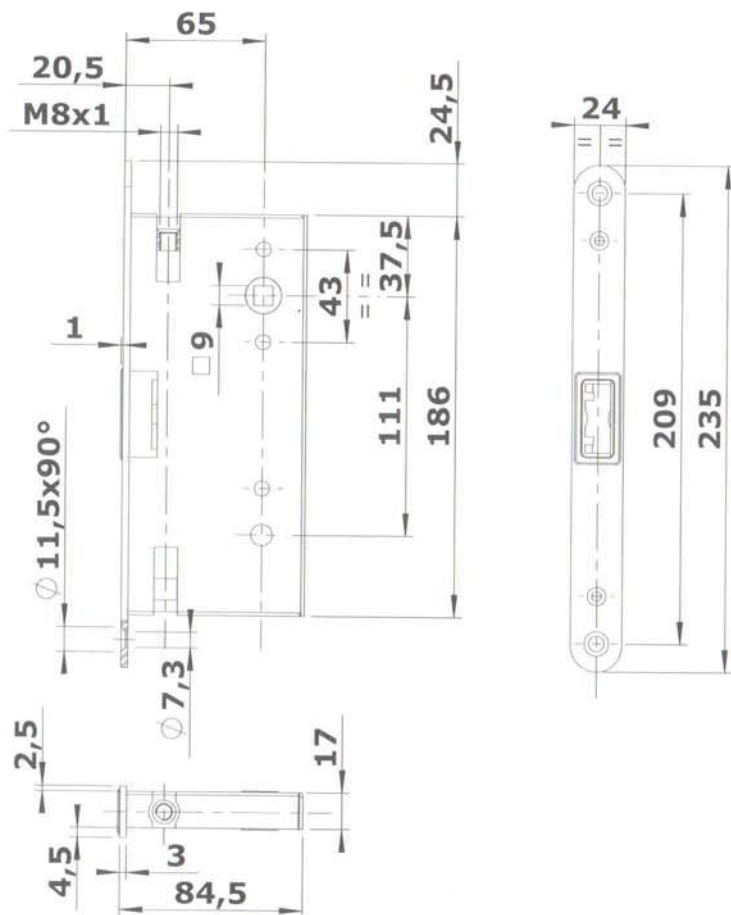
**3600 SERIES****TECHNICAL DRAWINGS****LOCK**

Cod.

**1901/21**

**NEMEF.**

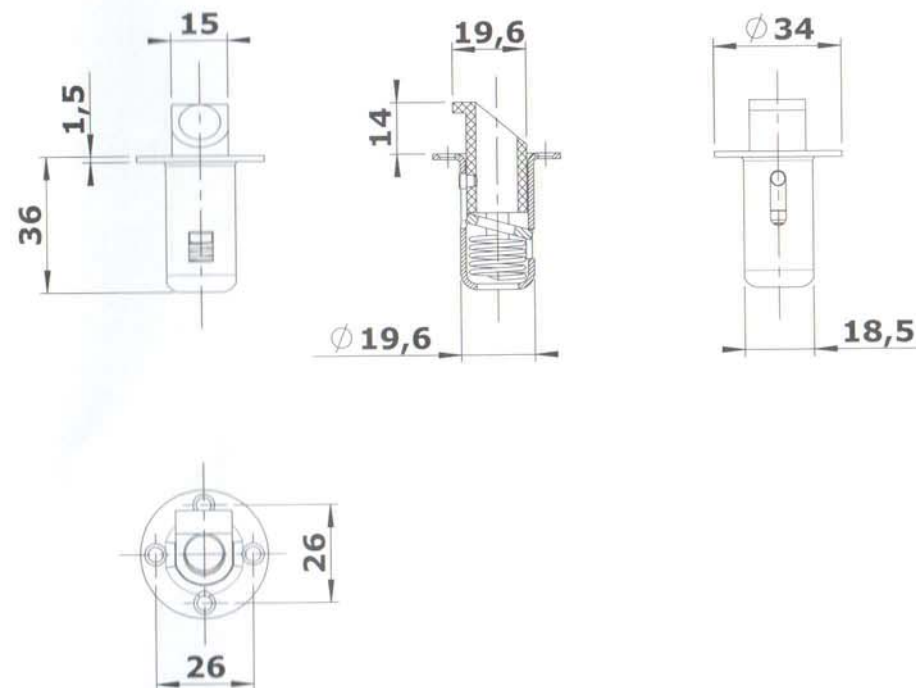
ASSA ABLOY

**3600 SERIES****TECHNICAL DRAWINGS****COUNTER-LOCK**

Cod.

**1921/21****NEMEF.**

ASSA ABLOY

**3600 SERIES****TECHNICAL DRAWINGS****AUTOMATIC RELATCHING DEVICE FOR THE RODS**

Cod.

**1935**

	
0425-2818	15
EN1125:2008	3 7 7 B 1 3 2 2 A A

ASSA ABLOY Nederland B.V.  
 Postbus 40, 4940 AA  
 Meerval 3-5  
 4941 SK Raamsdonksveer  
 Tel. +31 (0)88 639 46 00  
 Fax +31 (0)88 639 46 75  
 info@assaabloy.nl  
 www.assaabloy.nl  
 www.nemef.nl