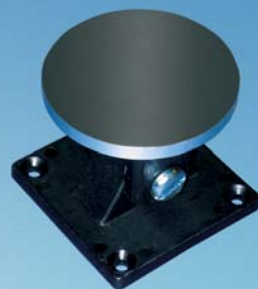


From cover caps to upper pivots

GEZE Accessories



Product information for door closers

The following information concerning door closers for hinged leaf doors must be observed. Failure to observe the information exonerates the manufacturer from liability or obligation.

1. Product information and intended use

Door closers in terms of this definition shall be used to close hinged leaf doors again after they have been manually opened. The closing operation is performed with adjustable hydraulic damping. The necessary closing force relative to the leaf widths is defined in EN 1154. The information from the manufacturers must be observed in the case of areas of application other than conduit intended. Door closers shall be used on installed hinged-leaf doors made of metal, wood, or UPVC and any combinations of these materials. The mounting method and position are precisely prescribed for smoke and fire doors or other standardised self-closing doors. Mounting methods and positions other than conduit intended do not conform to the intended use.

Door closers with back check must be used, especially in the case of hinged-leaf doors which are opened against wind. The back check contributes to protecting personnel, door elements, surrounding walls and objects without restricting the door opening angle. If, owing to the structural characteristics of the door, it is necessary to mount the door leaf to the frame at the door's pivot axis, a stop which restricts the maximum door opening angle of the door must be used. Hinged leaf doors can only be held open at a specific position using additional special fittings or integrated construction elements. With smoke and fire doors, the equipment must be approved by an inspector from the responsible institute for structural engineering (documents supporting suitability must be observed).

Door closers are not suitable for the unprotected external installation into single-action doors and for use in environments with aggressive corrosion-promoting air contents as well as extremely low or high temperatures.

Fitting boxes for floor springs must be protected against dirt penetration after their installation. If floor mounted door closers are exposed to water penetration (e.g. damp locations or exterior doors without rain protection), the cavity between the cement box and door closer housing must be filled with a suitable sealing compound.

Before the door closers (including any additional equipment) are installed, any mandatory legal directives must be observed.

2. Improper use

Improper use (i.e. utilisation of the product in a way differing from the intended use) for hinge leaf door may result in damage or injury in particular:

- ▶ if obstacles in the closing radius, dragging doors, jamming seals, wood wedges etc. prevent the closing operation
- ▶ if door closers have been incorrectly or unprofessionally fitted and/or adjusted
- ▶ if parts of the body are between the frame and leaf (risk of injury)
- ▶ if correct functioning is expected beyond the specified characteristics, e.g. in storm conditions, with extra-ordinary negative pressure or positive pressure acting on the door
- ▶ if door closers are used for purposes other than closing doors
- ▶ if the selected door closer size does not correspond to the recommendations of the manufacturer

3. Product characteristics

If the product characteristics are not described in the catalogues, brochures, instructions etc., any special requirement must be discussed with and then approved by the manufacturer.

Reference should be made to the standard DIN 18 263, parts 1, 2, 3 and 5 'Door closers with hydraulic damping'. Virtually all basic requirements and additional requirements are defined in this standard. The suitability of use for door closers depends on factors such as frequency of actuation, actuation principle, environmental influences, and care and maintenance. Door closers must be replaced as soon as correct and reliable closing operation can no longer be guaranteed.

4. Product maintenance

Safety elements of door closers must be checked regularly, according to requirements, for wear and to ensure that they are fitted correctly and securely. Fixing screws must be tightened and any faulty components must be changed. Furthermore, the following maintenance work must be performed at least once per year (depending on the type of hinged leaf doors and their applications):

- ▶ All moving parts on the link arm must be greased
- ▶ The closer settings (e.g. closing speed) must be checked
- ▶ Smooth operation of the door must be checked
- ▶ In the case of door closers with special functions (hold-open devices/hold-open systems), the legal check, monitoring, and maintenance must be observed.

Only cleaning agents not containing any corrosive and damaging components should be used.

5. Obligations regarding information and instruction

The following media are available to the planner, specialist trader, manufacturer, building owner, and user:

- ▶ Catalogues, brochures
- ▶ Tender documents
- ▶ Mounting instructions, installation drawings, operating instructions, standards
- ▶ Consultation with field service personnel

The following points are essential for the correct use, reliable functioning, maintenance, and care of door closers for hinged-leaf doors:

- ▶ architects and planners must request and observe the necessary product information,
- ▶ specialist dealers and manufacturers must observe the product information and information in the price list, and especially request all necessary instructions and pass them on to the customer, installer or end user
- ▶ manufacturers must observe product information and pass it on to the customers and end users.

Page Contents

4		Door shoes and upper pivots for single action doors
7		Cover caps for door shoes and upper pivots
8		Pivot lever and guide rails
9		Pivot bearing
10		Door shoes for double action doors
11		Upper pivots for double action doors
12	F	Smoke switch control unit RSZ 6
13	F	Smoke switch control unit RSZ 5
14	F	Smoke switch RS 5
14	F	Power supply unit RS 5/N
15	F	Smoke protection switches and smoke detectors
16	F	Circuit breaker
16	F	Magnetic door clamps and counterplates

F Permitted for use with smoke and fire doors

Door shoes and upper pivot for single action doors

Door shoe model DM

see Fig. 4-1

For bolting on.

Material: steel, drop-forged and galvanised.
With flat taper for almost every door system (on request).

ID No. 001068

Door shoe model DB

see Fig. 4-2

For screw attachment to rebated and flush timber doors or aluminium doors.

For welding to steel doors.

Material: steel, drop-forged and galvanised.

Type	ID No.
with flat taper	044579
with square socket	037581

Upper pivot model DB

see Fig. 4-3

Material: steel, drop-forged and galvanised.
Upper pivot pin length 45 mm.

Do not use any ID No. with upper pivot pin lengths 41 or 49 mm in combination a, b, c.

Combination	Handing	ID No.
a	-	044676
b	DIN left	044697
b	DIN right	044680
c	-	044787

Do not use any ID No. with upper pivot pin lengths 41 or 49 mm in combination a, b, c.

Installation dimensions	Combination		
	a	b	c
Dimension =	S	S	S
Upper pivot pin 41 mm without spacer ring	41	28,5	16
Upper pivot pin 45 mm with spacer ring	45	32,5	20
Upper pivot pin 49 mm with spacer ring 8 mm	49	36,5	24

If combination and upper pivot pin length are not specified, **combination a with 45 mm upper pivot pin** will be supplied.

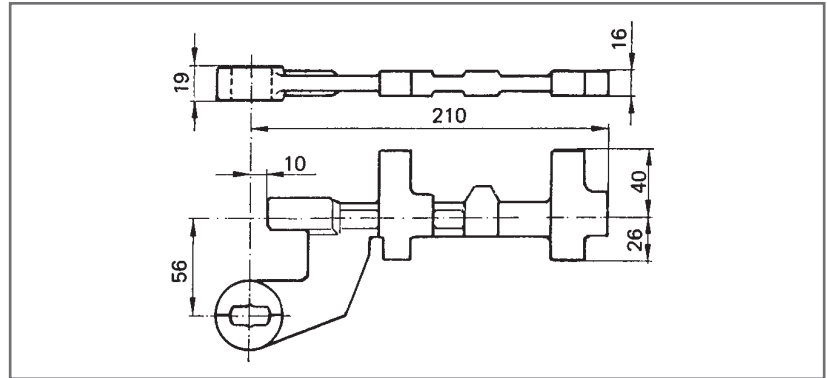


Fig. 4-1

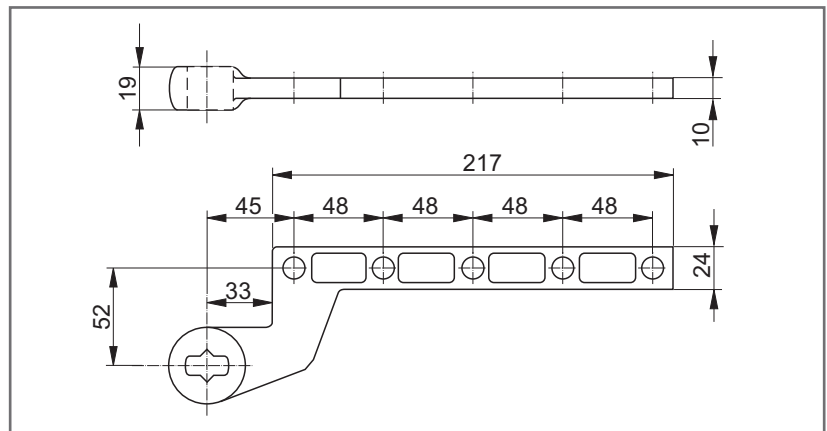


Fig. 4-2

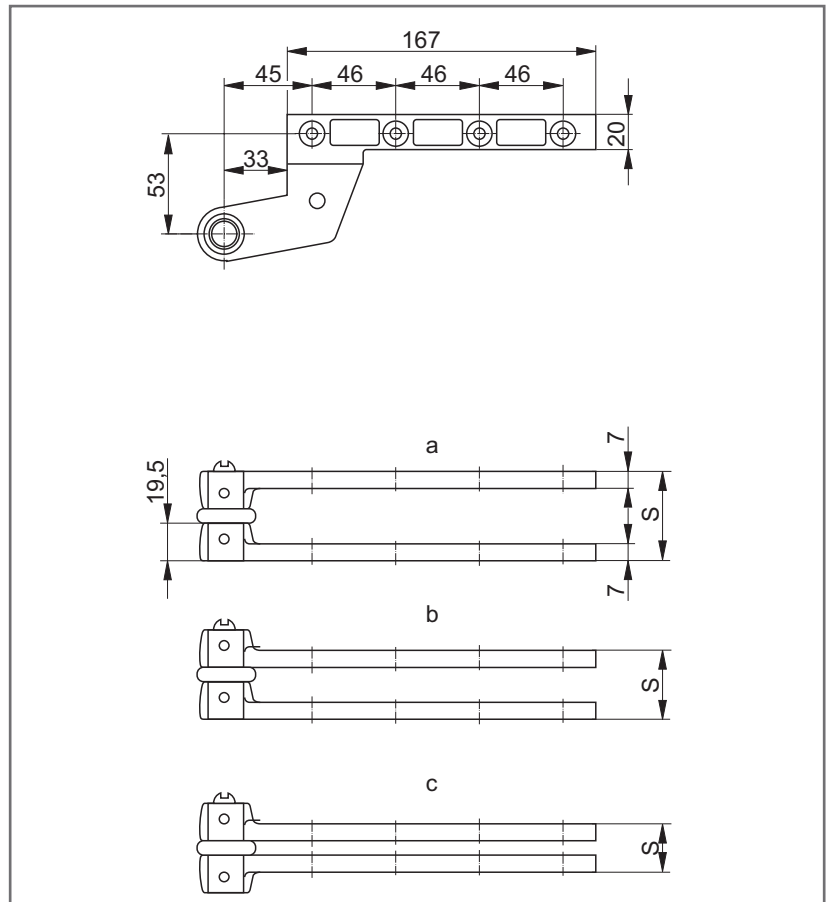


Fig. 4-3

Door shoes and upper pivots for single action doors

Door shoe model EK

see Fig. 5-1

For welding to steel doors.

Material: steel, drop-forged and galvanised.

Type	ID No.
with flat taper	008269
with square socket	006696

Upper pivot model EK

see Fig. 5-2

Material: precision punched component made of drawn steel, phosphated.

Upper pivot pin length 45 mm.

Combination	Handing	ID No.
a	-	006719
b	DIN left	000889
b	DIN right	000890
c	-	000891

Do not use any ID No. with upper pivot pin lengths 41 or 49 mm in combination a, b, c.

Installation dimensions	Combination		
	a	b	c
Dimension =	S	S	S
Upper pivot pin 41mm without spacer ring	41	27	13
Upper pivot pin 45 mm with spacer ring	45	31	17
Upper pivot pin 49 mm with spacer ring 8 mm	49	35	21

If combination and upper pivot pin length are not specified, **combination a with 45 mm upper pivot pin** will be supplied.

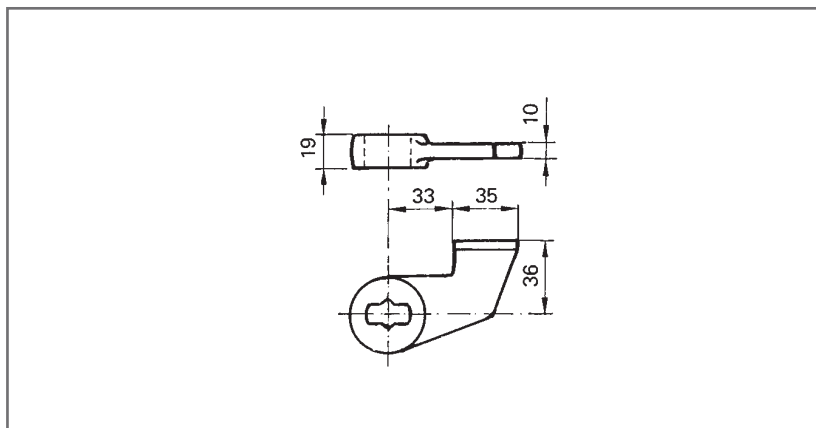


Fig. 5-1

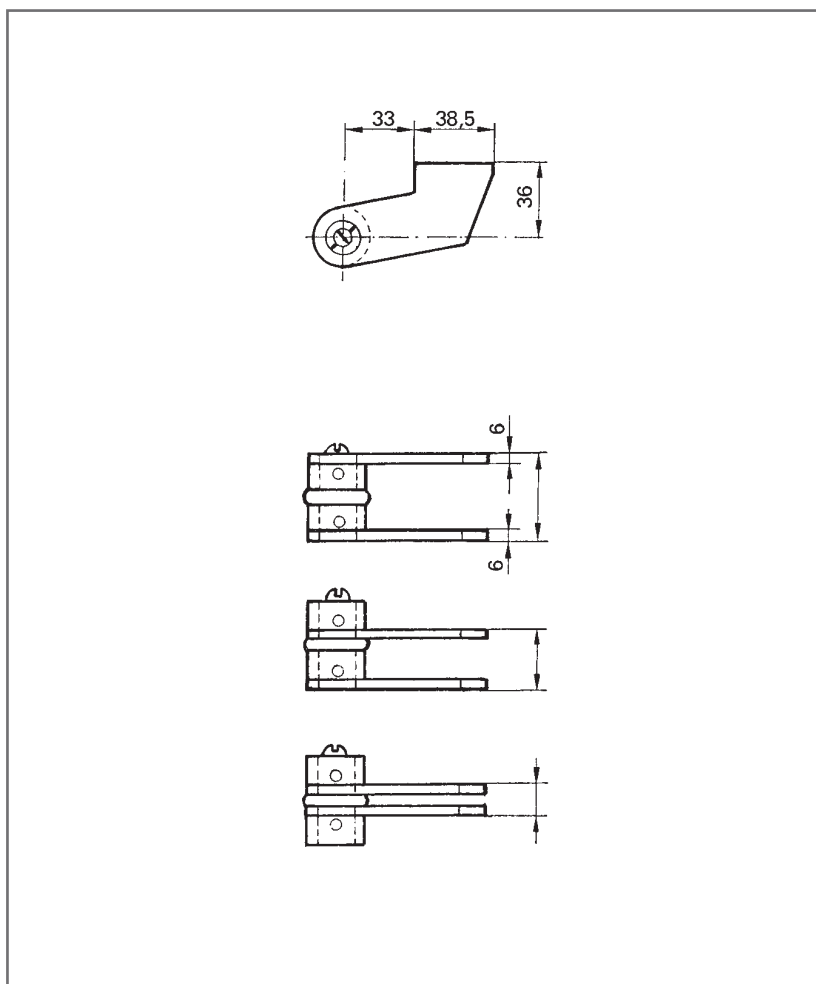


Fig. 5-2

Door shoes and upper pivot pins for single action doors

Door shoe model FK

see Fig. 6-1

For welding to steel doors.
Material: steel, drop-forged.

Type	ID No.
with flat taper	008270
with square socket	006699

Upper pivot model FK

see Fig. 6-2

Material: steel, drop-forged.
Upper pivot pin length 45 mm.

Combination	Handing	ID No.
a	-	006724
b	DIN left	000895
b	DIN right	000896
c	-	000897

Do not use any ID No. with upper pivot pin lengths 41 or 49 mm in combination a, b, c.

Installation dimensions	Combination		
	a	b	c
Dimension =	S	S	S
Upper pivot pin 41mm without spacer ring	41	28	15
Upper pivot pin 45 mm with spacer ring	45	32	19
Upper pivot pin 49 mm with spacer ring 8 mm	49	36	23

If combination and upper pivot pin length are not specified, **combination a with 45 mm upper pivot pin** will be supplied.

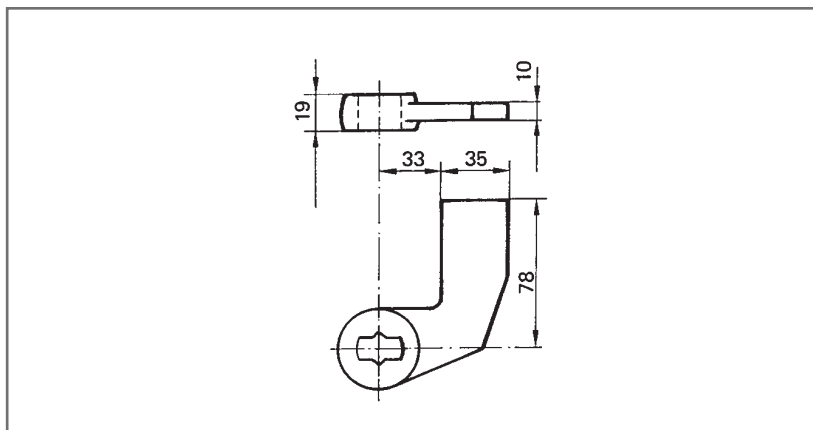


Fig. 6-1

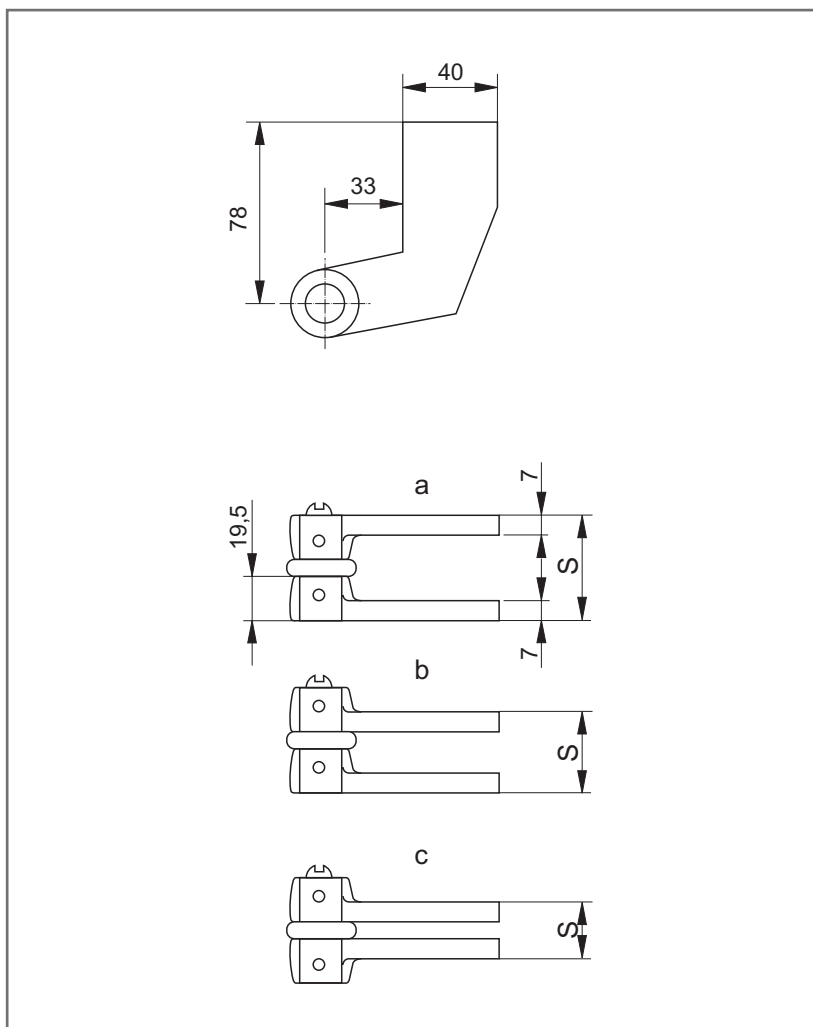


Fig. 6-2

Cover caps for door shoes and upper pivots

Flush doors

Cover caps for door shoes

model DM, DB, EK, FK

see Fig. 7-1

Finish	ID No. DIN left	ID No. DIN right
aluminium, satin	006792	006796
alu. anodised EV1	006794	006798
dark bronze	052178	052177

Cover caps for upper pivots

model DB, EK, FK

see Fig. 7-2

Finish	ID No.
aluminium, satin	001089
aluminium anodised EV1	001090
dark bronze	001091

Rebated doors

Cover caps for door shoes

model DM, DB, EK, FK ¹⁾

Finish	ID No. DIN left	ID No. DIN right
aluminium, satin	045184	045011
alu. anodised EV1	045196	045155
dark bronze	045199	045183

Cover caps for upper pivots

model DB, EK, FK ¹⁾

Finish	ID No. DIN left	ID No. DIN right
aluminium, satin	037917	038284
alu. anodised EV1	037918	038302
dark bronze	038272	038308

¹⁾ The cover caps for the door rail and the lower part of the hinge have been shortened by 14 mm for the installation into rebated doors.

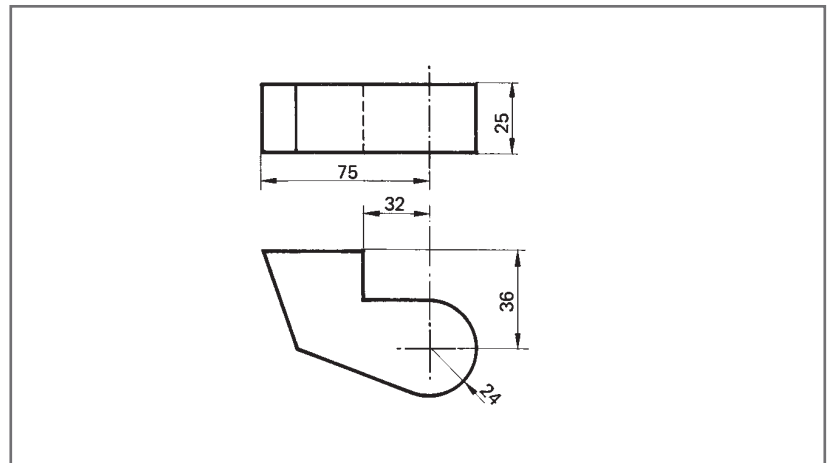


Fig. 7-1

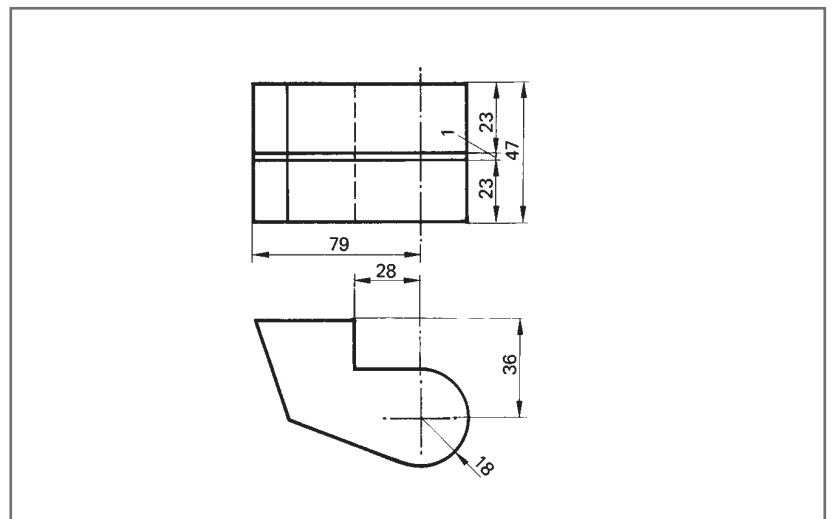


Fig. 7-2

Pivot lever and guide rails

Pivot lever

see Fig. 8-1

Material: steel, galvanised
for mounting on doors with hinges

Type	Colour	ID No.
with flat taper	silver	056107
	dark bronze	056108
with square socket	silver	059599
	dark bronze	059600

Guide rail

see Fig. 8-1

Finish	Colour	ID No.
aluminium	silver	056109
	dark bronze	056110

Use door stop
for max. opening.
Installation layout,
see Fig. 8-2

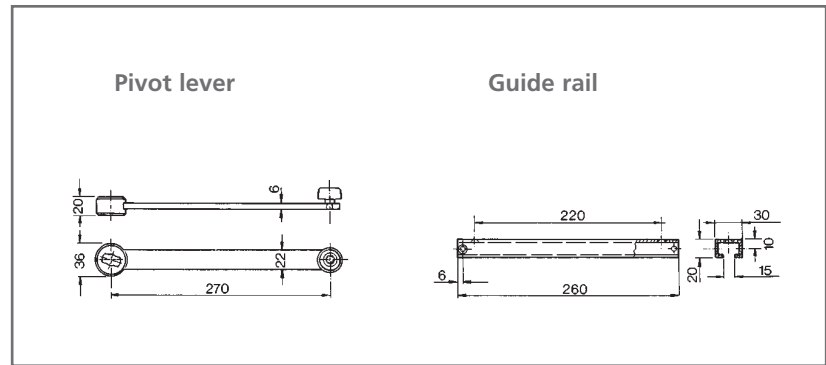
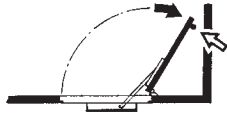


Fig. 8-1

Drawing	Installation	Angle
3	rebated door	115°
	flush door	135°
3A	rebated door	115°
	flush door	135°
4A	10 mm hinge distance	
	rebated door	
	39 mm leaf thickness	135°
	70 mm leaf thickness	115°
4	flush door	
	39 mm leaf thickness	129°
	70 mm leaf thickness	100°
	rebated door	
4	flush door	
	39 mm leaf thickness	113°
	70 mm leaf thickness	92°
	rebated door	

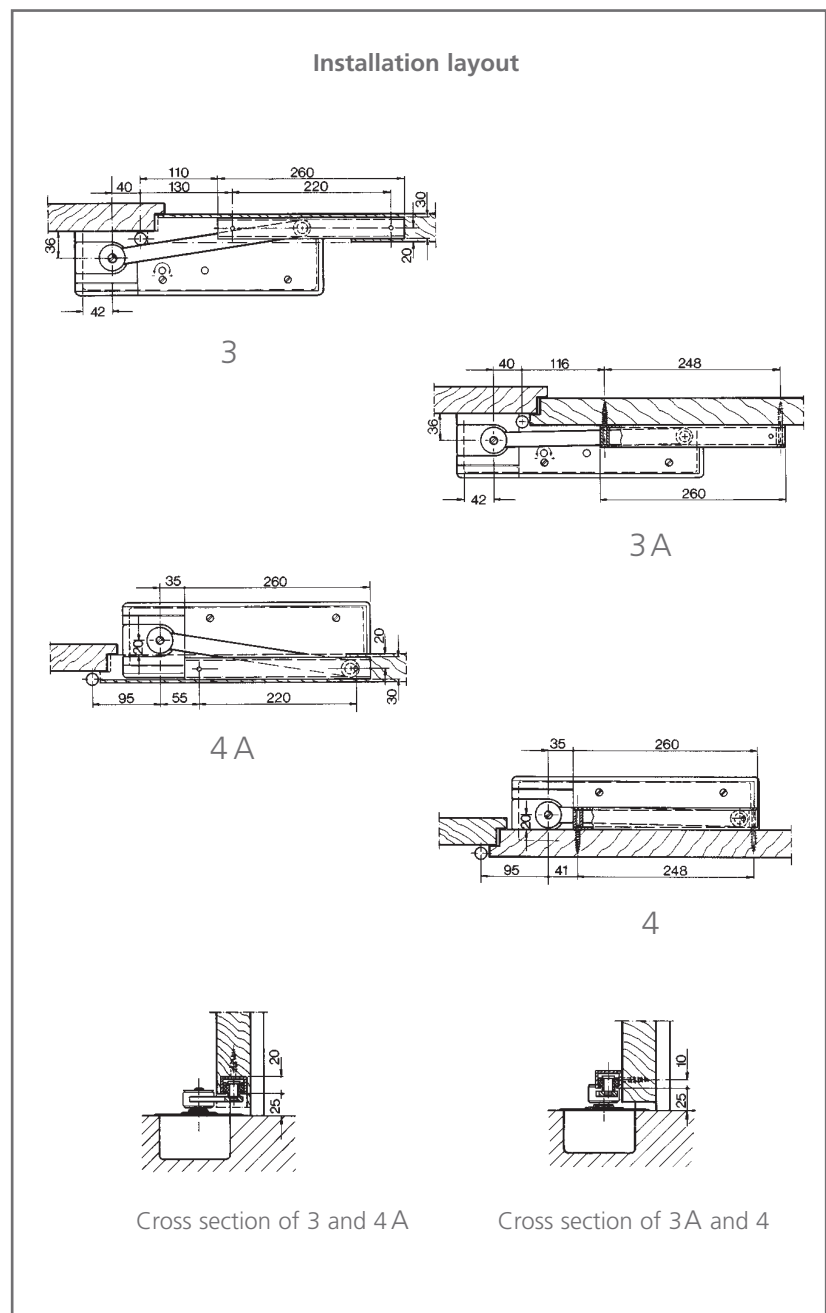


Fig. 8-2

Pivot bearing

Pivot bearing with flat-conical spindle

see Fig. 9-1

Pivot bearing GEZE TS 137 b, ID No. 009788

70 x 70 mm with square spindle

Max. door weight: 250 kg

Pivot bearing with square spindle

Pivot bearing GEZE TS 32 b, ID No. 010556

75 x 70 mm with nylon bearing

Max. door weight: 250 kg

Both pivot bearings are available
with 5 mm extended spindle.

Copper plate

80 x 72 mm for pivot bearing, ID No. 012846

with flat-conical/square spindle

Material: stainless steel

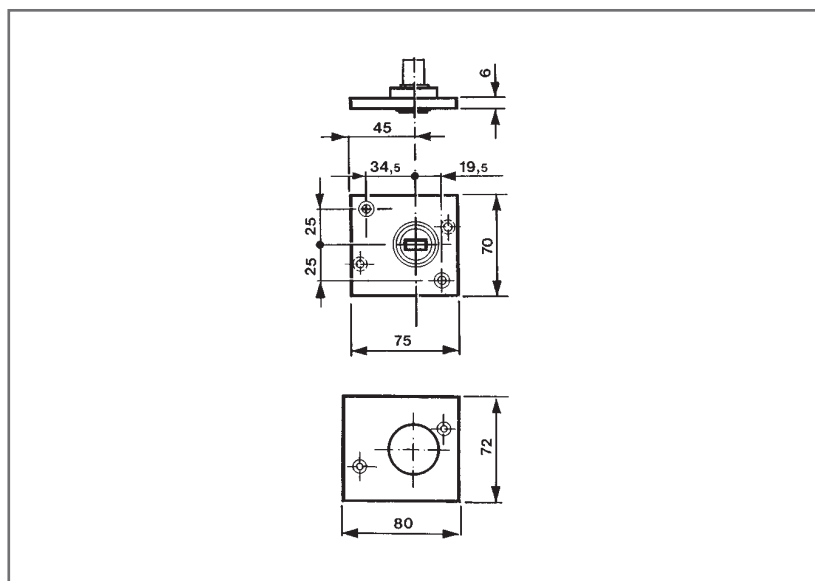


Fig. 9-1

Door shoes for double action doors

Door shoe model CM

see Fig. 10-1

with flat taper, for aluminium doors
Material: steel, drop-forged and galvanised
for almost every door system (on request)

ID No. 001067

Door shoe model C

see Fig. 10-2

with flat taper, for metal and timber doors
Material: steel, drop-forged

ID No. 007432

Door shoe model S

see Fig. 10-3

with flat taper, for welding to steel doors
Material: steel

ID No. 007434

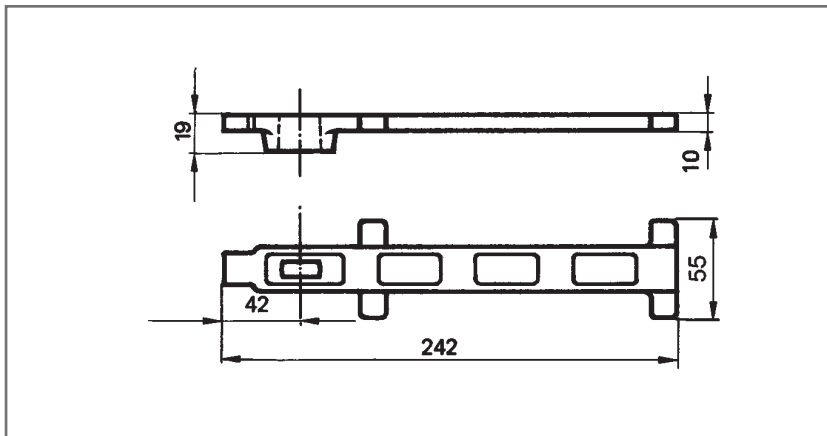


Fig. 10-1

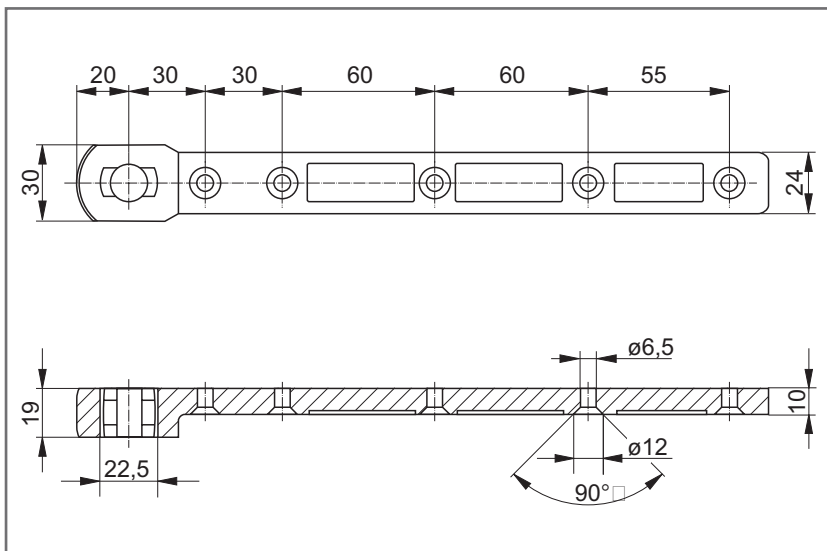


Fig. 10-2

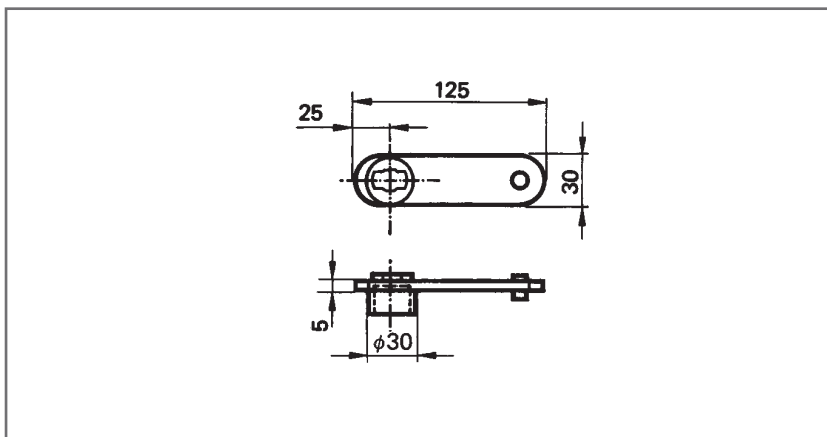


Fig. 10-3

Upper pivots for double action doors

Adjustable upper pivot model B

see Fig. 11-1

suitable for door shoes
model CM, C and S

Description	Pivot pin	ID No.
adjustable	43 mm	006371
upper pivot	55 mm	000108
model B	65 mm	000903

Adjustable upper pivot model C

see Fig. 11-2

suitable for door shoes
model CM, C and S

Description	Pivot pin	ID No.
adjustable	43 mm	006666
upper pivot	55 mm	000905
model B	65 mm	000904

Cover plate for top of upper pivots model B and C

Finish	ID No.
aluminium, satin	006375
aluminium anodised EV1	006376
aluminium anodised dark bronze	000876

Front plate for bottom of upper pivot model B

Finish	ID No.
aluminium, satin	006667
aluminium anodised EV1	006669
aluminium anodised dark bronze	000878

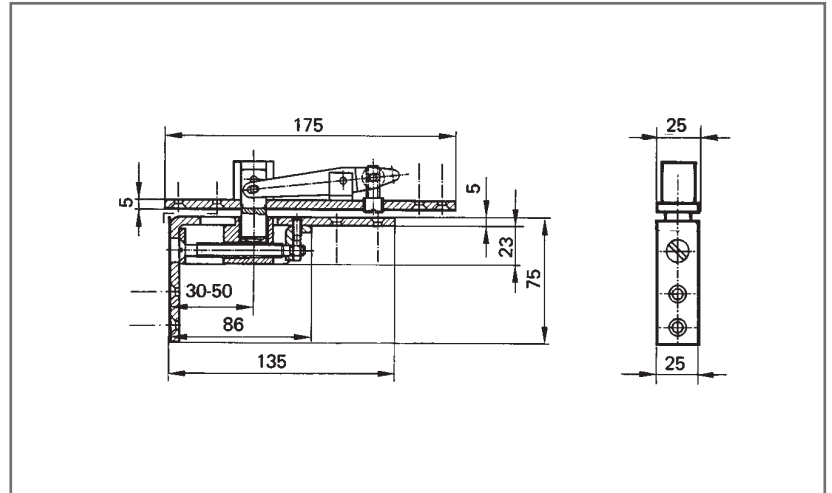


Fig. 11-1

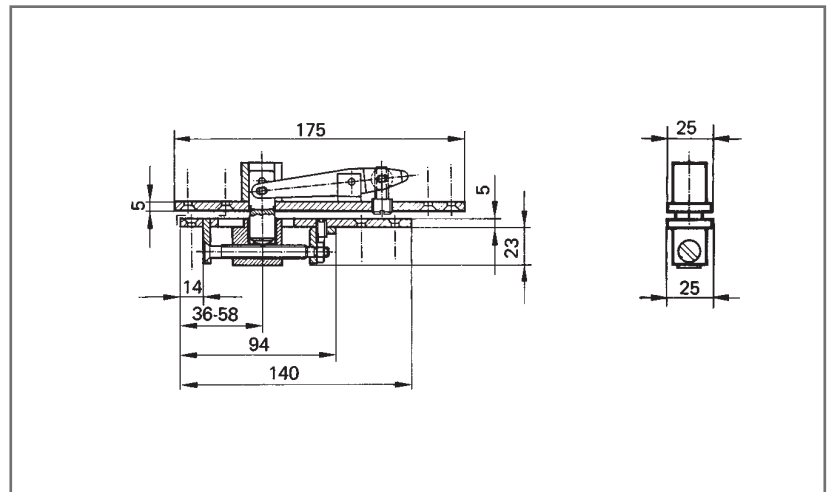


Fig. 11-2



Smoke switch control unit GEZE RSZ 6

Smoke switch control unit GEZE RSZ 6 Certification No. Z-6.5-1755

with adaption of the alarm threshold and
soiling indicator

Dimensions, see Fig. 12-1

Connection diagram, see Fig. 12-2

The smoke switch control unit GEZE RSZ 6 with integrated 24 V DC power supply unit is both a smoke detector for early detection of fire and also a smoke switch to actuate hold-open systems for fire protection barriers.

The RSZ 6 can be used for both door closers with hold-open device and magnetic clamps. It is possible to connect additional smoke switches.

Voltage supply 230 V AC, UP (flush mounted)

Mounting

Fig. 13-2 is showing the mounting of both GEZE RSZ 6 / RSZ 5 smoke switch control units. The smoke switch control unit should only be mounted to the vertical wall above the door opening.

Electrical data

- ▶ Smoke detection – optical scattered light principle
- ▶ Operation voltage 230 V AC, 50 Hz, 6.3 W
- ▶ Total connected load for door closer/magnetic clamp max. 200 mA
- ▶ Ambient temperature 0° to +50° C
- ▶ Short-circuit proof
- ▶ Enclosure rating IP20

Smoke switch control unit GEZE RSZ 6

Finish	ID No.
silver	099851
dark bronze	099857
white RAL 9016	099858
RAL colour	099859

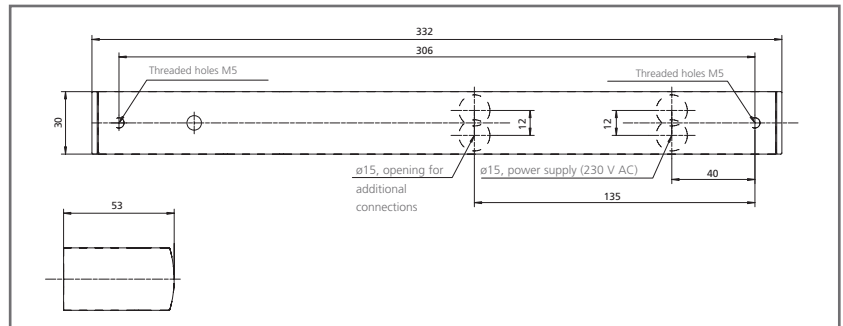
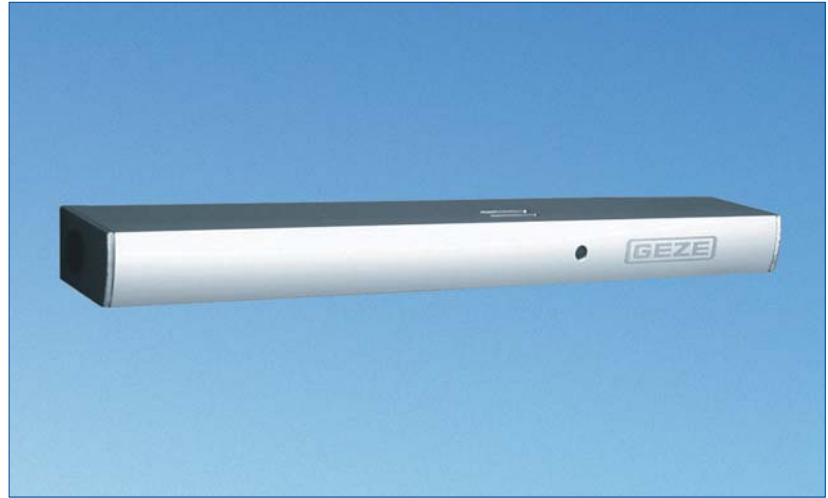


Fig. 12-1

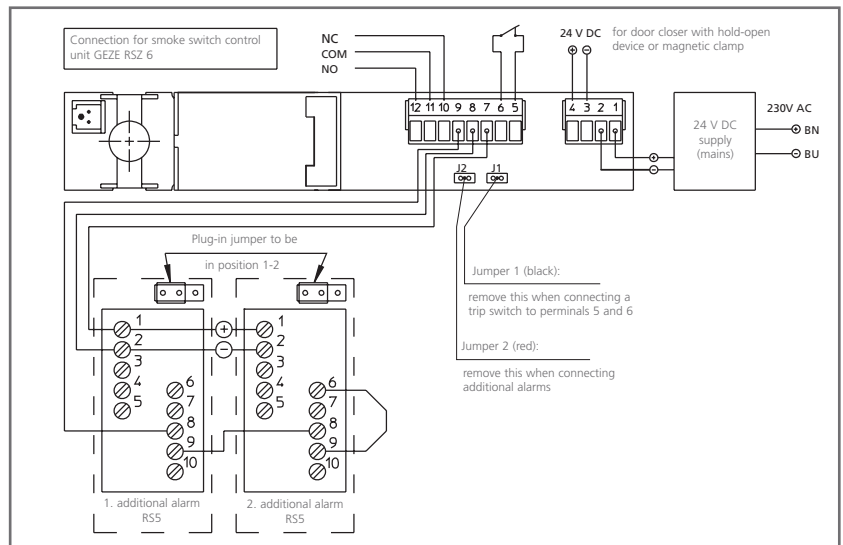


Fig. 12-2



Smoke switch control unit GEZE RSZ 5

Smoke switch control unit GEZE RSZ 5
Certification No. Z-6.5-1508

Dimensions, see Fig. 13-1

The GEZE RSZ 5 smoke switch control unit with integrated 24 V DC power supply unit is both a smoke detector for early detection of fire and also a smoke switch to actuate hold-open systems for fire protection barriers.

The RSZ 5 can be used for both door closers with hold-open device and magnetic clamps. It is possible to connect additional smoke switches.

Voltage supply 230 V AC, either AP (surface-mounted) or UP (flush-mounted)

Mounting

Fig. 13-2 is showing the mounting of both GEZE RSZ 6 / RSZ 5 smoke switch control units. The smoke switch control unit should only be mounted to the vertical wall above the door opening.

Electrical data

- ▶ Smoke detection – optical scattered light principle
- ▶ Operating voltage 230 V AC, 80 mA, 50 Hz
- ▶ Total connected load max. 230 mA
- ▶ Ambient temperature -5° to +50° C
- ▶ Fuse T 315 mA "L"
- ▶ Enclosure rating IP20

Smoke switch control unit GEZE RSZ 5

Finish	ID No.
silver	028357
dark bronze	028960
white RAL 9016	028961
RAL colour	028962

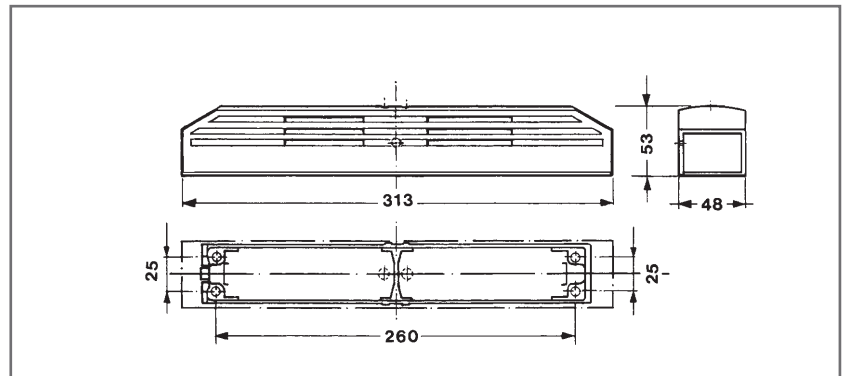


Fig. 13-1

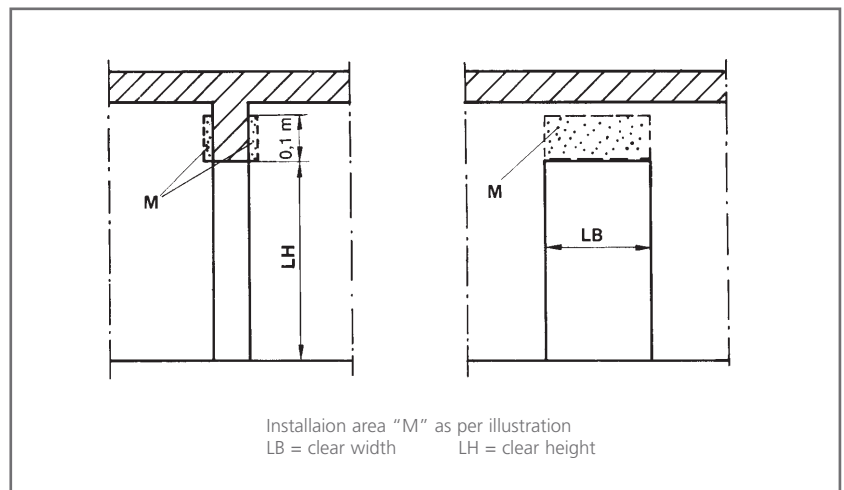


Fig. 13-2

Smoke switch GEZE RS 5 and power supply GEZE RS 5/N

Smoke switch GEZE RS 5 Certification No. Z-6.5-1508

Dimensions, see Fig. 14-1

The GEZE RS 5 smoke switch is a smoke detector for the early detection of fire. When smoke is detected (optical scattered light principle) the switch interrupts the power supply for the door closer hold-open. The RS 5 can be used for both door closers with hold-open device and magnetic clamps.

Voltage supply 24 V DC, either AP (surface-mounted) or UP (flush-mounted)

Finish RS 5	ID No.
silver	027052
dark bronze	028939
white RAL 9016	028940
RAL colour	028941

Power supply unit GEZE RS 5/N Certification No. Z-6.5-1508

The GEZE RS 5/N is used to supply power to the RS 5 smoke switch and door closer with hold-open device or magnetic clamp.

Electrical data

- ▶ Power supply cable 2 x 1,5 mm²
230 V AC, 80 mA, 50 Hz
- ▶ Output voltage 24 V DC
- ▶ Output current max. 250 mA
- ▶ Ambient temperature -5° to +50° C

Finish RS 5/N	ID No.
silver	027053
dark bronze	028950
white RAL 9016	028951
RAL colour	028952

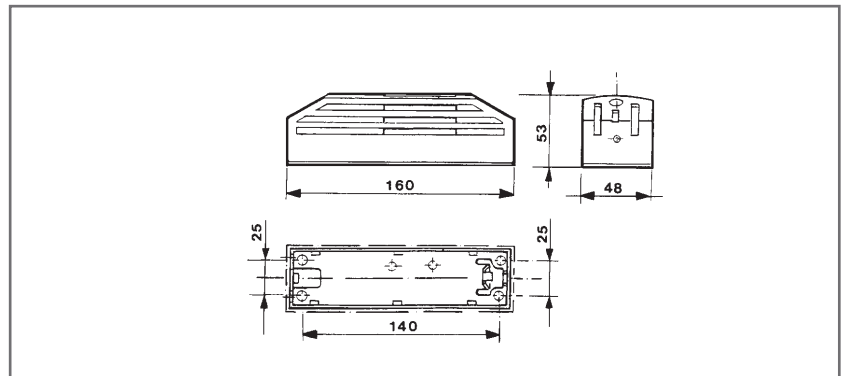


Fig. 14-1

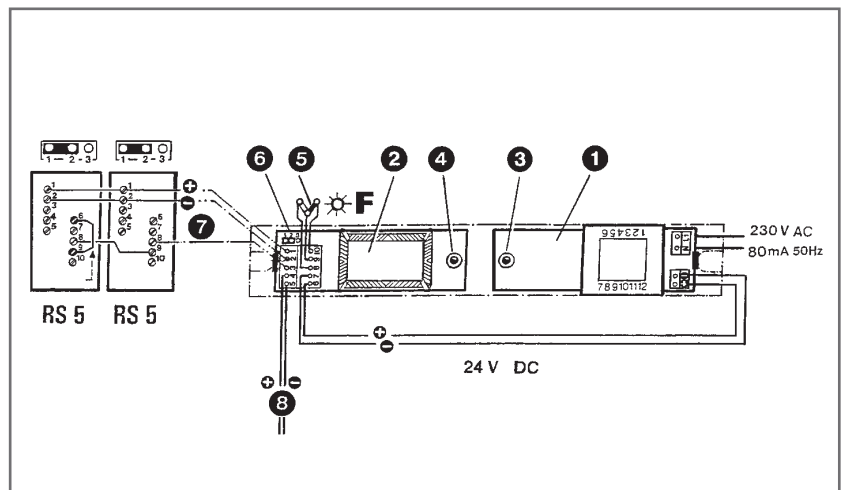


Fig. 14-2

Legend Fig. 14-2

- ① Power detection unit (GEZE RS 5/N)
- ② Smoke detection unit
- ③ Status display LED green
- ④ Alarm display LED red
- ⑤ Potential-free contact to external smoke detection display
- ⑥ Plug-in jumper
- ⑦ Connection of additional smoke switches (max. 2 units) GEZE RS 5
- ⑧ Connection for door closer with hold-open device and magnetic clamp



GEZE smoke protection switches and smoke detector

GEZE smoke detection switch

The smoke protection switch – for door closer with hold-open device and magnetic clamps – is an element of “hold-open systems for fire protection barriers”. In the event of fire, the smoke switch actuates both the door closer with electrically actuated hold-open and the magnetic clamps such that the smoke and fire door close. This prevents the fire from spreading to the next fire lobby.

- ▶ Supply voltage 230 V/50 Hz
- ▶ Number of optical smoke detectors max. 20
- ▶ Output for magnetic clamps or door closers with hold-open device
 - 24 V DC/0,25 A, see Fig. 15-1
 - 24 V DC/0,8 A, see Fig. 15-2
- ▶ Ambient temperature 0° to +40° C
- ▶ Enclosure rating IP 41 (for dry locations only)

The smoke protection switch can only be combined with GEZE smoke detectors.

GEZE smoke detector

Smoke detectors are used for the early detection of fire. The detector is able to detect a fire at the earliest possible stage. The optical detector functions are according to the scattered light principle. The inside of the smoke detector contains a labyrinth-like structure into which a measuring light beam is pulsed. If smoke has penetrated the smoke detector, any reflection of this measuring light beam is detected by a photosensitive element and the alarm is raised.

- ▶ Operating voltage 20 V DC ± 1 V
- ▶ Closed-circuit current 70 mA
- ▶ Operating temperature 0° to +50° C
- ▶ Storage temperature range -25° to +70° C
- ▶ Weight approx. 200 g
- ▶ Enclosure rating IP 42 (for dry locations only)

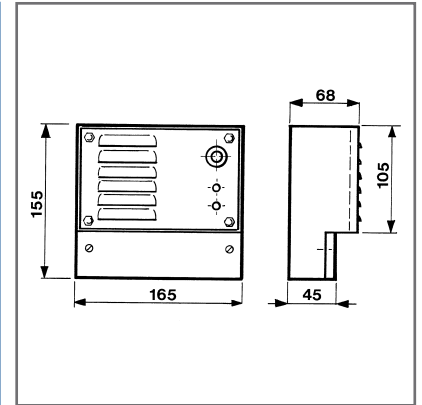


Fig. 15-1

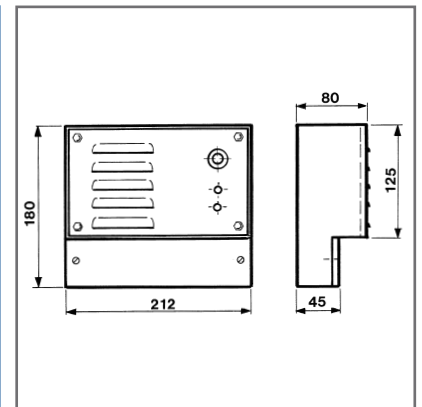


Fig. 15-2

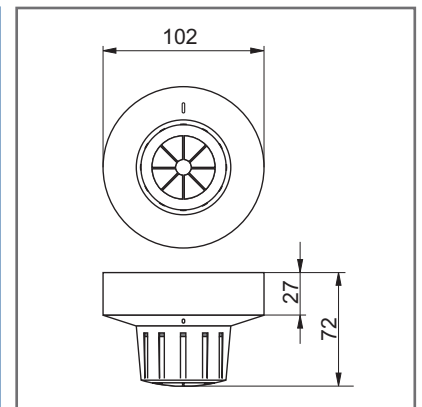


Fig. 15-3

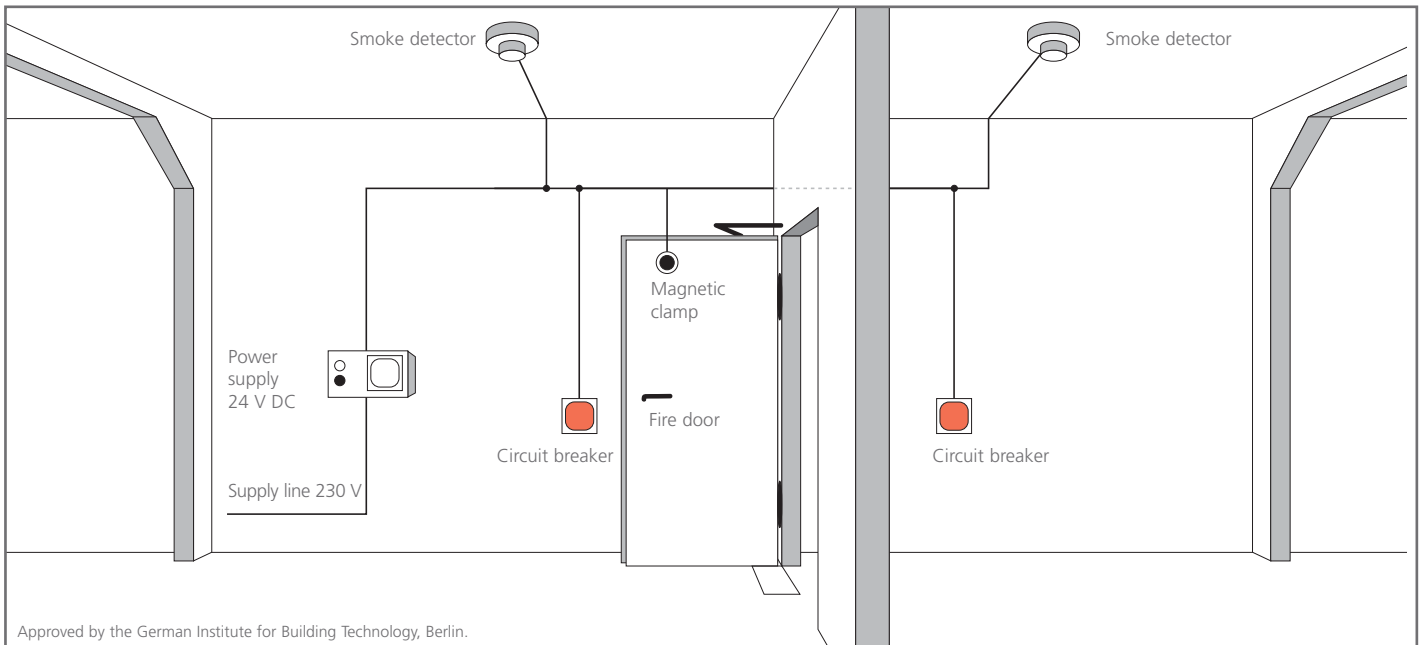
Description	ID No.
Smoke protection switch 24 V DC/0,25 A	013356
Smoke protection switch 24 V DC/0,8 A	013357
Smoke detector	102146

GEZE circuit breaker

GEZE circuit breaker

The circuit breaker is used for manual tripping of magnetic clamps or electrically actuated door closers.

Finish	Dimensions (h/w/d)	ID No.
surface-mounted	61 x 61 x 22 mm	048393
flush-mounted	81 x 81 x 13 mm	048294



GEZE magnetic door clamps and counterplates

GEZE magnetic clamps

Electromagnetic door clamps are used for holding open fire doors. They must be connected to a smoke detection system which, in the event of fire, interrupts the clamping power supply. The door is then released and is closed by the door closer. The door clamps are actuated via the smoke switch control units GEZE RSZ 6, RSZ 5 or via the GEZE smoke protection switch for door closer with hold-open device and magnetic clamps.

It is also possible to release the door from its hold-open position using circuit breakers which also shut off the clamping power supply.



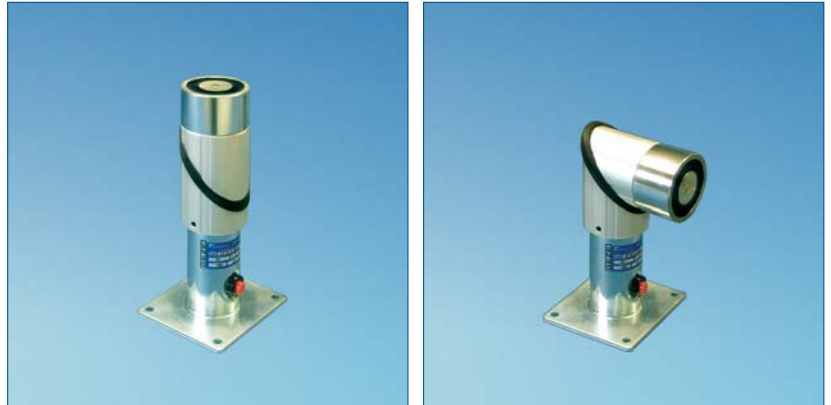


GEZE magnetic door clamps and counterplates

Product features for all GEZE magnetic clamps

- ▶ Operating voltage 24 V DC $\pm 10\%$
- ▶ Current consumption approx. 60 mA
- ▶ Power consumption approx. 1,5 W
- ▶ Clamping force approx. 490 N

GEZE magnetic door clamps are listed as hold-open mechanism named GT 50 R in the Certification RSZ 6 (No. Z-6.5-1755), RSZ 5 and smoke protection switches (No. Z-6.5-1508).



Full-metal magnetic clamp with integrated circuit breaker

Magnetic head and spacer galvanised

for wall mounting and floor mounting
with tilting magnetic head

see Fig. 17-1 and Fig. 17-2

Version with basic length 185 mm,
ID No. 115952

Version with basic length 335 mm,
ID No. 115953

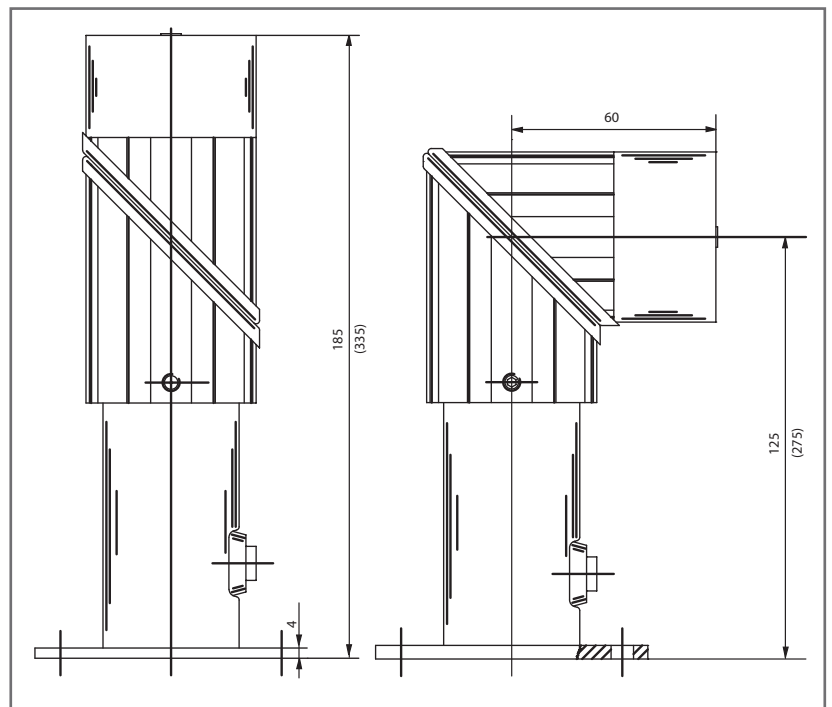


Fig. 17-1

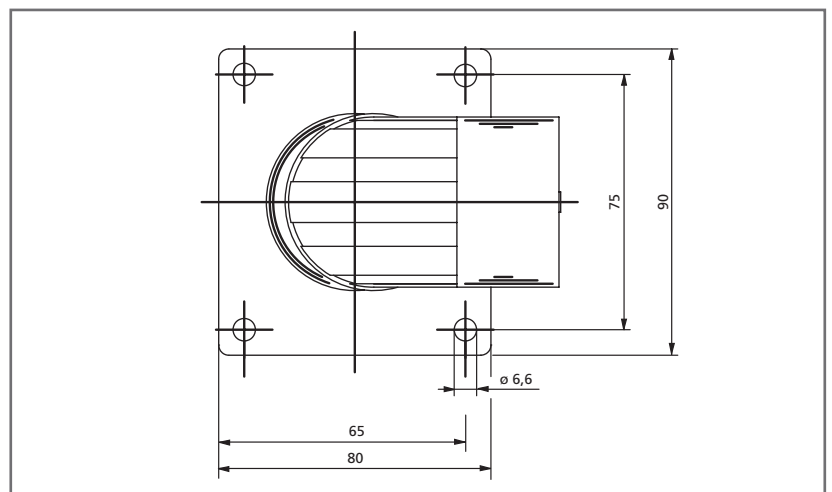
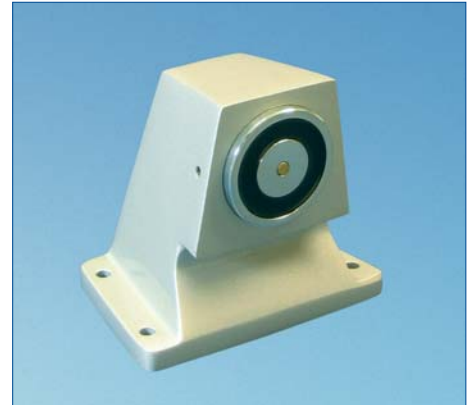
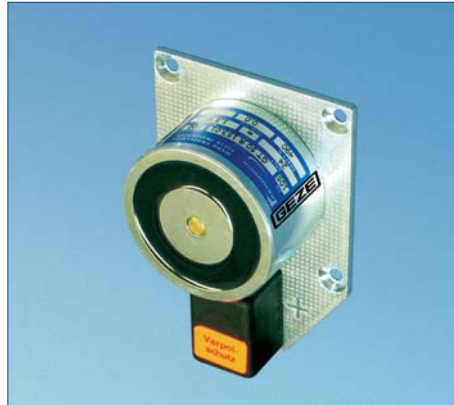


Fig. 17-2



GEZE magnetic door clamps and counterplates



GEZE magnetic door clamps

Magnetic door clamp basic model

ID No. 115830

magnetic head galvanised (without base plate)

for wall mounting or installation in an arbitrary construction, see Fig. 18-1

Magnetic door clamp wall mounting

ID No. 115829

with base plate, see Fig. 18-2

Magnetic door clamp floor mounting

ID No. 115951

with aluminium housing and integrated circuit breaker, see Fig. 18-3

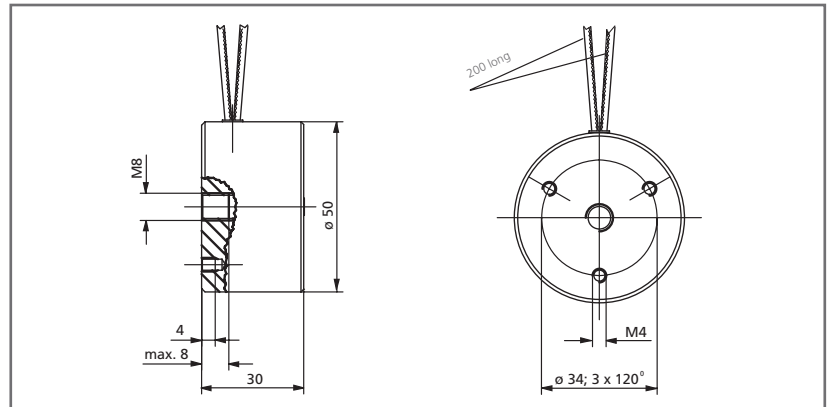


Fig. 18-1

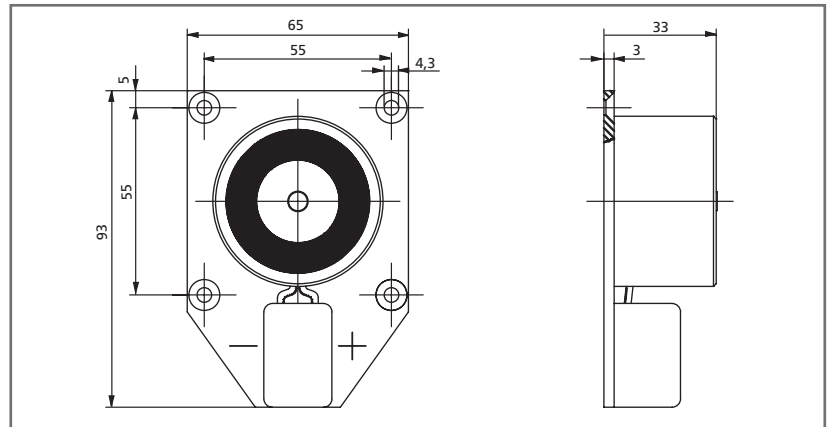


Fig. 18-2

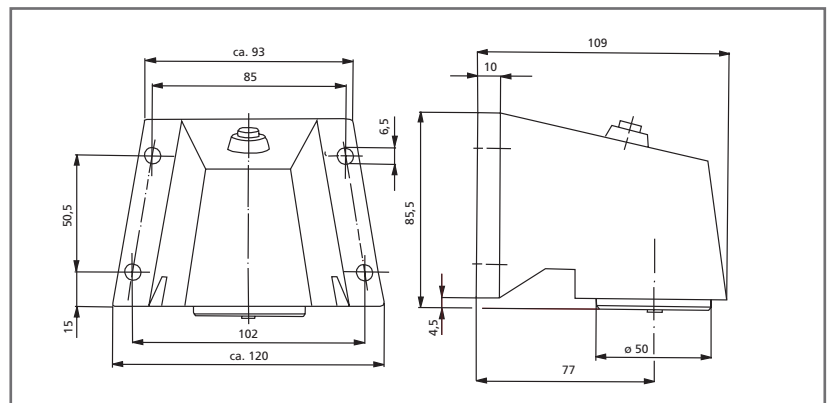
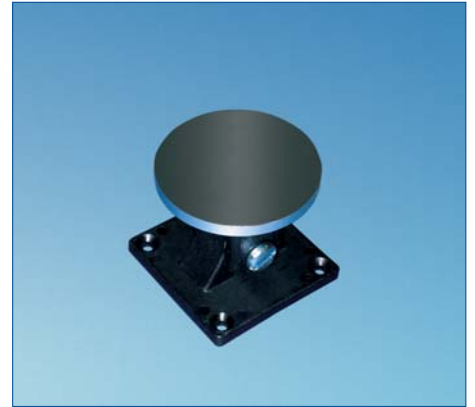
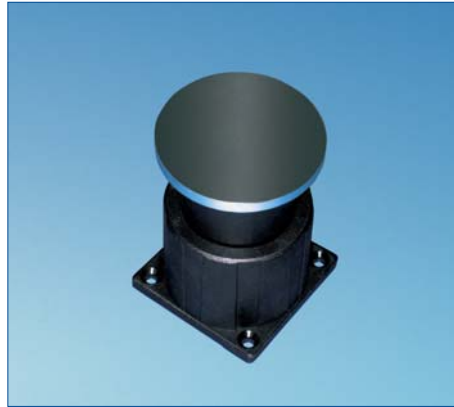
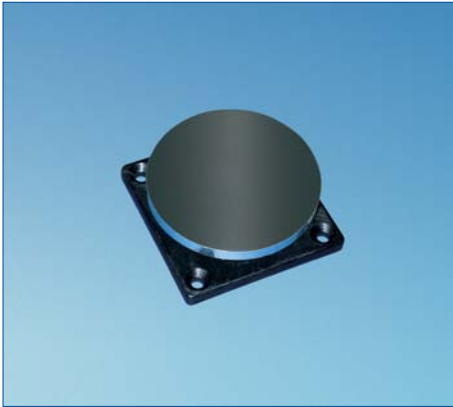


Fig. 18-3



GEZE magnetic door clamps and counterplates



GEZE counterplates

The counterplates are the companion parts to the magnetic clamps. They are mounted to the door leaf and connect the door and magnetic clamp electromagnetically.

Counterplate standard model

on mounting plate with spring for levelling with magnetic clamp, see Fig. 19-1

ID No. 115954

Counterplate with spring compensation

on mounting housing with damping spring for smooth action on heavy doors, see Fig. 19-2

ID No. 115955

Counterplate with joint

on mounting plate with additional adjustment for extreme angle between door and magnetic clamp, see Fig. 19-3

ID No. 115956

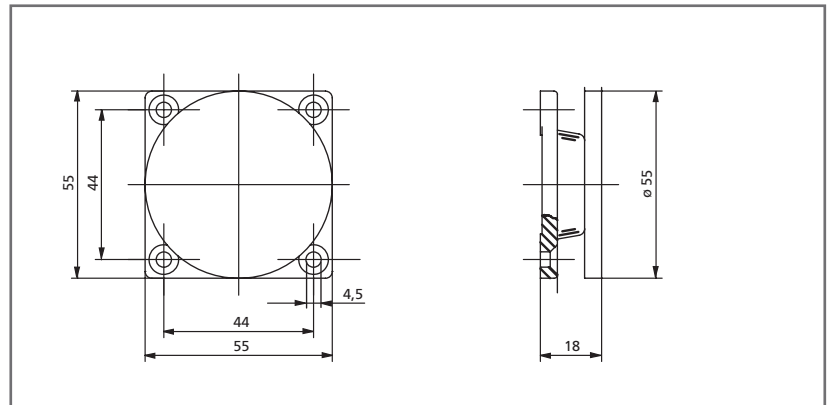


Fig. 19-1

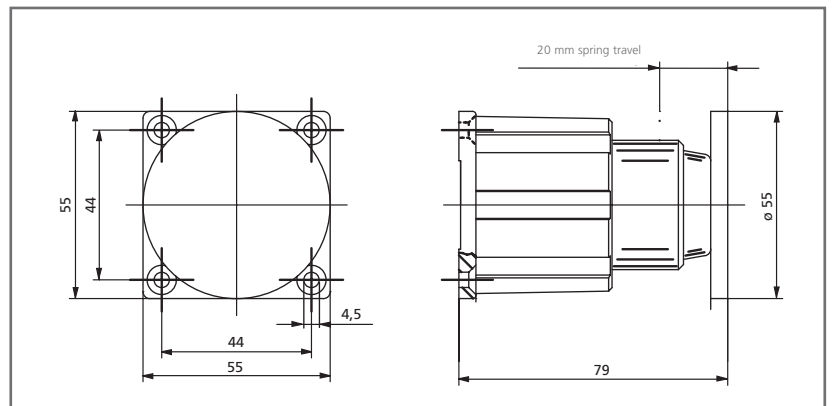


Fig. 19-2

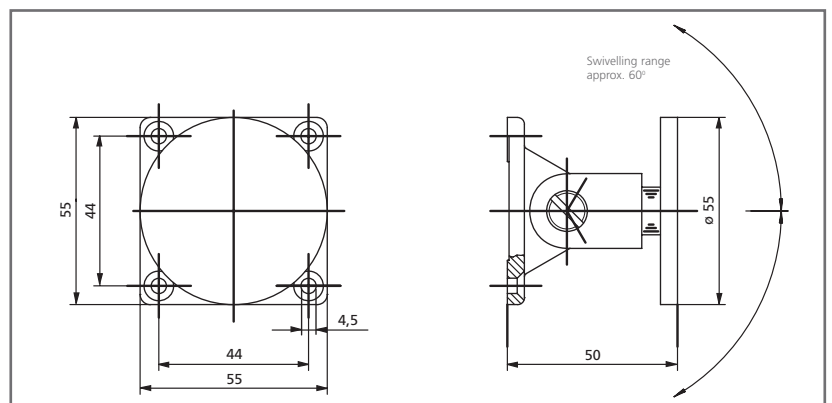


Fig. 19-3

GEZE GmbH

P.O. Box 1363
71226 Leonberg
Germany

GEZE GmbH

Reinhold-Vöster-Straße 21-29
71229 Leonberg
Germany
Telefon +49 (0)7152-203-0
Telefax +49 (0)7152-203-310

GEZE Online:

www.geze.com

GEZE Branch offices**Germany****GEZE GmbH**

Niederlassung Nord/Ost
Bühringstraße 8
13086 Berlin (Weissensee)
Tel. +49 (0)30-47 89 90-0
Fax +49 (0)30-47 89 90-17
E-mail: berlin.de@geze.com

GEZE GmbH

Niederlassung West
Nordsternstraße 65
45329 Essen
Tel. +49 (0)201-83082-0
Fax +49 (0)201-83082-20
E-mail: essen.de@geze.com

GEZE GmbH

Niederlassung Mitte
Adenauerallee 2
61440 Oberursel (b. Frankfurt)
Tel. +49 (0)6171-63610-0
Fax +49 (0)6171-63610-1
E-mail: frankfurt.de@geze.com

GEZE GmbH

Niederlassung Süd
Reinhold-Vöster-Straße 21-29
71229 Leonberg
Tel. +49 (0)7152-203-594
Fax +49 (0)7152-203-438
E-mail: leonberg.de@geze.com

GEZE Subsidiaries**Germany****GEZE Sonderkonstruktionen GmbH**

Planken 1
97944 Boxberg-Schweigern
Tel. +49 (0)7930-9294-0
Fax +49 (0)7930-9294-10
E-mail: sk.de@geze.com

GEZE Service GmbH

Reinhold-Vöster-Straße 25
71229 Leonberg
Tel. +49 (0)7152-9233-0
Fax +49 (0)7152-9233-60
E-mail: info@geze-service.com

GEZE Service GmbH

Niederlassung Berlin
Bühringstraße 8
13086 Berlin (Weissensee)
Tel. +49 (0)30-470217-30
Fax +49 (0)30-470217-33

Europe**Benelux****GEZE Benelux B.V.**

Leemkuil 1
Industrieterrein Kapelbeemd
5626 EA Eindhoven
Tel. +31 (0)40-26290-80
Fax +31 (0)40-26290-85
E-mail: benelux.nl@geze.com

France**GEZE France S.A.R.L.**

ZAC de l'Orme Rond
RN 19
77170 Servon
Tel. +33 (0)1-60626070
Fax +33 (0)1-60626071
E-mail: france.fr@geze.com

Great Britain**GEZE UK Ltd.**

Blenheim Way
Fradley Park
Lichfield
Staffordshire WS13 8SY
Tel. +44 (0)1543-443000
Fax +44 (0)1543-443001
E-mail: info@geze-uk.com

Italy**GEZE Italia Srl**

Via Giotto 4
20040 Cambiagio (MI)
Tel. +39 02 95 06 95-11
Fax +39 02 95 06 95-33
E-Mail italia.it@geze.it

GEZE Engineering Roma Srl

Via Lucrezia Romana 91
00178 Roma
Tel. +39 06-7265311
Fax +39 06-72653136
E-mail: gezeroma@libero.it

GEZE Engineering Bari Srl

Via Treviso 58
70022 Altamura (Bari)
Tel. +39 080-3115219
Fax +39 080-3164561
E-mail: gezebari@libero.it

Austria**GEZE Austria GmbH**

Mayrwiesstraße 12
5300 Hallwang b. Salzburg
Tel. +43 (0)662-663142
Fax +43 (0)662-663142-15
E-mail: austria.at@geze.com

Poland**GEZE Polska Sp. z o.o.**

ul. Annopol 3 (Zeran Park)
03-236 Warszawa
Tel. +48 (0)22-8142211
Fax +48 (0)22-6142540
E-mail: geze@geze.pl

Switzerland**GEZE Schweiz AG**

Bodenackerstrasse 79
4657 Dulliken
Tel. +41 (0)62-285 54 00
Fax +41 (0)62-285 54 01
E-mail: schweiz.ch@geze.com

Spain**GEZE Iberia S.R.L.**

Pol. Ind. El Pla
C/ Comerc, 2-22, Nave 12
08980 Sant Feliu de Llobregat (Barcelona)
Tel. +34-(0)9-02 19 40 36
Fax +34-(0)9-02 19 40 35
E-mail: iberia.es@geze.com

Scandinavia**Sweden****GEZE Scandinavia AB**

Mallslingan 10
Box 7060
18711 Täby
Tel. +46 (0)8-7323-400
Fax +46 (0)8-7323-499
E-mail: [sverige.se@geze.com](mailto: sverige.se@geze.com)

Norway**GEZE Scandinavia AB avd. Norge**

Postboks 63
2081 Eidsvoll
Tel. +47 (0)639-57200
Fax +47 (0)639-57173
E-mail: norge.se@geze.com

Finland**GEZE Finland**

Branch office of GEZE Scandinavia AB
Postbox 20
158 71 Hollola
Tel. +358 (0)10-400 51 00
Fax +358 (0)10-400 51 20
E-mail: finland.se@geze.com

Denmark**GEZE Denmark**

Branch office of GEZE Scandinavia AB
Møllehusene 3, 3. th.
4000 Roskilde
Tel. +45 (0)46-323324
Fax +45 (0)46-323326
E-mail: [danmark.se@geze.com](mailto: danmark.se@geze.com)

Middle East**U.A.E.****GEZE Middle East**

P.O. Box 17903
Jebel Ali Free Zone
Dubai
Tel. +971 (0)4-8833112
Fax +971 (0)4-8833240
E-mail: geze@emirates.net.ae

Asia**GEZE Asia Pacific Ltd.**

Unit 630, Level 6, Tower 2
Grand Central Plaza
138 Shatin Rural Committee Road
Shatin, New Territories
Hong Kong
Tel. +852 (0)237-57382
Fax +852 (0)237-57936
E-mail: info@geze.com.hk

GEZE Industries (Tianjin) Co., Ltd.

Shuangchenzhong Road
Beichen Economic Development
Area (BEDA)
Tianjin 300400, P.R. China
Tel. +86 (0)22-26973995-0
Fax +86 (0)22-26972702
E-mail: geze@public1.tpt.tj.cn

GEZE Industries (Tianjin) Co., Ltd.

Branch Office Shanghai
Dynasty Business Center
Room 401-402
No. 457 WuRuMuQi North Road
200040 Shanghai, P.R. China
Tel. +86-(0)21-52 34 09-60/-61/-62
Fax +86-(0)21-52 34 09-63
E-mail: gezesh@geze.com.cn

GEZE Industries (Tianjin) Co., Ltd.

Branch Office Guangzhou
Room 1113, Jie Tai Plaza
218-222 Zhong Shan Liu Road
510180 Guangzhou
P.R. China
Tel. +86 (0)20-813207-02
Fax +86 (0)20-813207-05
E-mail: gezegz@public2.sta.net.cn

GEZE Industries (Tianjin) Co., Ltd.

Branch Office Beijing
The Grand Pacific Building
B Tower Room 201
8 A, Guanghua Road
Chaoyang District
100026 Beijing, P.R. China
Tel. +86-(0)10-65 81 57-32/-42/-43
Fax +86-(0)10-65 81 57 33
E-mail: gezebj@geze.com.cn

GEZE Asia Sales Ltd.

No. 88-1-408, East Road
Free Trade Zone of Tianjin Port
Tianjin, P.R. China
Tel. +86 (0)22-26 97 39 95-0
Fax +86 (0)22 26 97 27 02
E-mail: geze@public1.tpt.tj.cn

